



MARCH PUMPS

1819 PICKWICK AVE., GLENVIEW, IL 60026-1306, U.S.A
 PHONE: (847) 729-5300 - FAX: (847) 729-7062
 WWW.MARCHPUMP.COM

TE-5.5C-MD
TE-5.5K-MD
TE-5.5S-MD

DESCRIPTION:

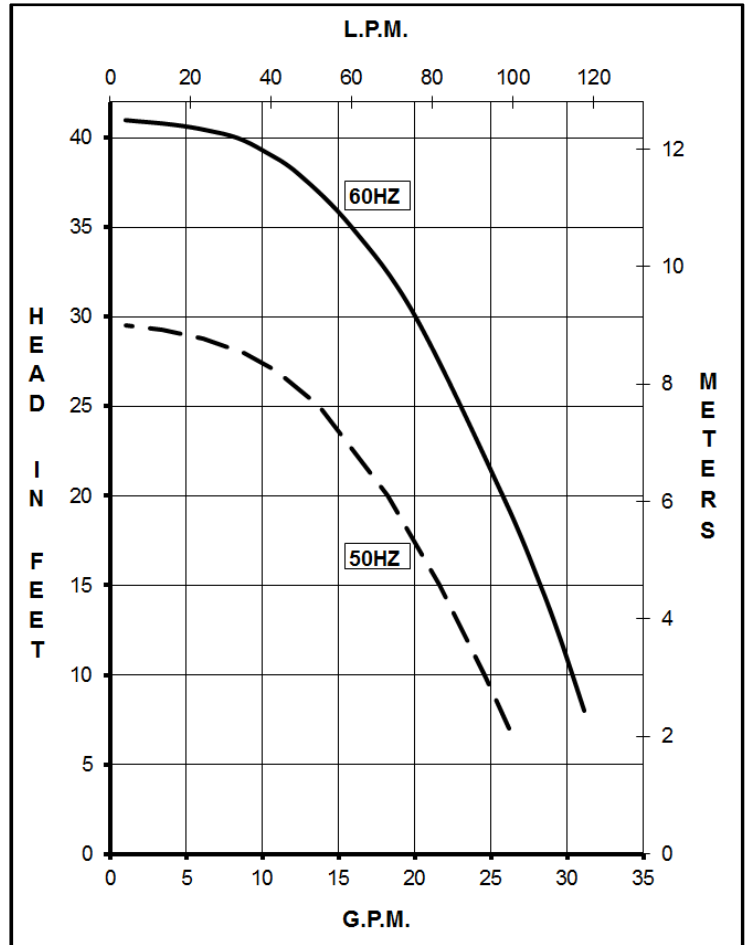
Series 5.5 are centrifugal magnetic drive pumps, eliminating the need for a shaft seal. Pumps can be serviced with a screwdriver. Screws should be tightened in sequence and uniformly. Do not over tighten the screws or you may crush the plastic housing bosses. See the parts list for a breakdown of parts. TE-5.5-MD pumps are 115/230V, 1 phase or 230/460V, 3 phase, TEFC.

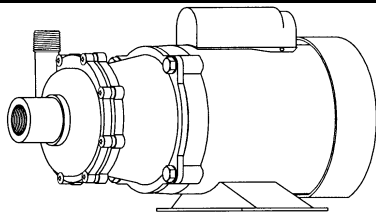
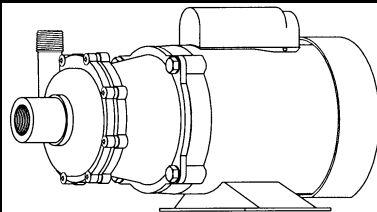
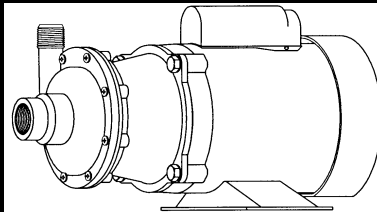
OPERATION:

Pumps are not self-priming, lack a suction lift, and thus require a **flooded suction**. Pumps **cannot be run dry** because the impeller requires the liquid being pumped for lubrication. The direction of motor rotation should be clockwise when facing the inlet of the pump. For liquids with a specific gravity greater than water, have a higher viscosity, or for elevated temperatures, a trimmed impeller may be necessary. For application assistance, contact March Pump.

LIMITED WARRANTY:

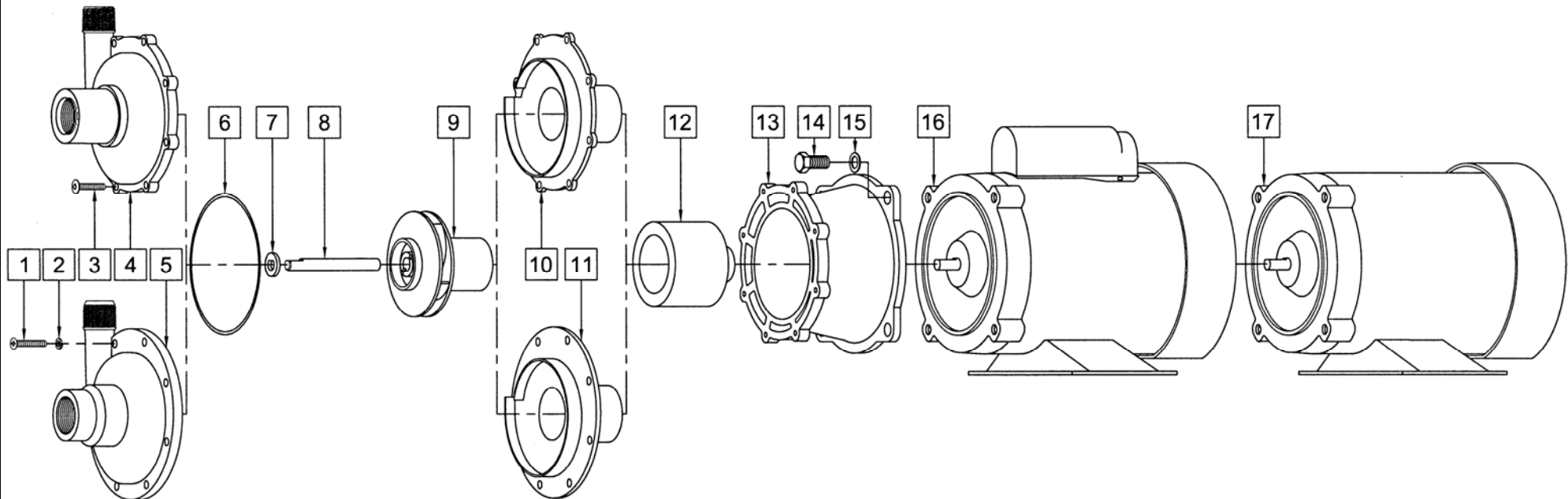
March pumps are guaranteed only against defects in workmanship or materials for a period of one year from date of manufacture pumping water. For the complete warranty and to register online go to www.marchpump.com/warranty-registration



SPECIFICATIONS	TE-5.5C-MD	TE-5.5K-MD	TE-5.5S-MD	
				
Model Abbreviations	C: Polypropylene	K: Kynar	S: Stainless Steel	
Max Flow	60Hz {30 gpm} - 50Hz {102 lpm}			
Max Head	60Hz {41 ft / 17.7 psi} - 50Hz {9 m}			
Inlet - Outlet	1" FPT - 3/4" MPT			
Max Internal Pressure	50 psi / 3.4 bar	75 psi / 5 bar	200 psi / 13 bar	
Max Liquid Temperature	190°F / 87°C	200°F / 93°C	250°F / 121°C	
Packed Weight	1 Phase	23.40 lbs / 10.61 kg	23.80 lbs / 10.79 kg	28.55 lbs / 12.95 kg
	3 Phase	27.60 lbs / 12.51 kg	28.05 lbs / 12.72 kg	32.80 lbs / 14.87 kg
Models	TE-5.5C-MD, TE-5.5K-MD, & TE-5.5S-MD			
	60Hz - 1 Phase	50Hz - 1 Phase	60Hz - 3 Phase	50Hz - 3 Phase
Motor Type	TEFC: Totally Enclosed Fan Cooled			
Rating / Duty	U.L. listed motor / Continuous			
Watts - Amps	(115V) 452 - 4.4	(115V) 290 - 4.4	(230V) 425 - 1.2	(190V) 350 - 1.2
	(230V) 452 - 2.2	(230V) 290 - 2.2	(460V) 425 - 0.6	(380V) 350 - 0.6
Hp / Kw - Rpm	1/3 - 3450	0.248 - 2850	1/3 - 3450	0.186 - 2850
Electrical Connection	Conduit Box			
Overall Pump Size (H x W x L)	7.79" x 7.65" x 14.25"		7.34" x 9.24" x 15.07"	
	19.7 cm x 19.4 cm x 36.1 cm		18.6 cm x 23.4 cm x 38.2 cm	

All specifications & data are based on pumping water & are intended as a guideline only. Specifications may vary with different motors.

PARTS LIST



NOTE: When attaching the Drive Magnet to the motor shaft, position the face of the Drive Magnet flush with the face of the Motor Bracket.

#	DESCRIPTION	TE-5.5C-MD	TE-5.5K-MD	TE-5.5S-MD	SIZE (Inches)	QTY.	TE-5.5C-MD	TE-5.5K-MD	TE-5.5S-MD
1	Screw		Stainless		#10-32 x 1-1/8 Lg.	8			0135-0181-1000
2	Lock Washer		Stainless		#10	8			0151-0016-1000
3	Screw		Stainless		#10-32 x 1 Lg.	8	0135-0180-1000		
4	Front Housing	Polypropylene	Kynar			1	0151-0027-1000	0151-0044-1000	
5	Front Housing			316 Stainless		1			0151-0002-0001
6	"O" Ring		Viton		3/32 CS x 4-7/16 OD	1		0153-0015-1000	
	"O" Ring		Viton/Teflon (Option)		3/32 CS x 4-7/16 OD	1		0153-0024-1000	
7	Thrust Washer		Ceramic			1		0155-0009-1000	
8	Shaft		Ceramic			1		0153-0007-1000	
	Impeller	Polypropylene	Kynar			1	0151-0029-0500	0151-0046-0300	
9	Impeller w/Carbon Bushing	Polypropylene (Option)	Kynar (Option)	316 Stainless		1	0151-0029-0800	0151-0046-0500	0151-0001-0400
	Impeller w/Mica Teflon Bushing	Polypropylene (Option)	Kynar (Option)	316 Stainless (Option)		1	0151-0029-1300	0151-0046-1100	0151-0001-0800
10	Rear Housing w/Ceramic Thrust Washer	Polypropylene	Kynar			1	0151-0028-0100	0151-0045-0100	
11	Rear Housing			316 Stainless		1			0151-0003-0000
12	Drive Magnet					1		0151-0061-0200	
13	Motor Bracket		Plastic			1		0151-0014-0100	
14	Screw		Stainless		3/8-16 x 3/4 Lg.	4		0155-0017-1000	
15	Washer		Stainless		3/8 ID x 5/8 OD	4		0155-0019-1000	
16	Motor, TEFC, 115/230V, 1 Phase, 50/60Hz					1		0151-0015-1000	
17	Motor, TEFC, 230/460V, 3 Phase, 50/60Hz					1		0151-0039-1000	
W	Wet End Kit	3,4,6,7,8,9,10	3,4,6,7,8,9,10			1	0151-0069-0100	0151-0070-0100	

NOTE: Contact Factory for other materials and/or parts not listed.

Explosion proof and special voltage motors are available upon special order.

0151-0026-1000 R23

MATERIALS IN CONTACT WITH SOLUTION:

TE-5.5C-MD: Polypropylene, Viton, Ceramic

TE-5.5K-MD: Kynar/Carbon Filled, Viton, Ceramic

TE-5.5S-MD: 316 Stainless Steel, Viton, Ceramic, Carbon