



MARCH PUMPS

1819 PICKWICK AVE., GLENVIEW, IL 60026-1306, U.S.A
 PHONE: (847) 729-5300 - FAX: (847) 729-7062
 WWW.MARCHPUMP.COM

TE-8C-MD
 TE-8K-MD
 TE-8S-MD

DESCRIPTION:

Series 8 are centrifugal magnetic drive pumps, eliminating the need for a shaft seal. Pumps are serviceable with an adjustable wrench. Screws should be tightened in sequence & uniformly. Do not over tighten the screws or you may crush the plastic housing bosses. See the parts list for a breakdown of parts.

OPERATION:

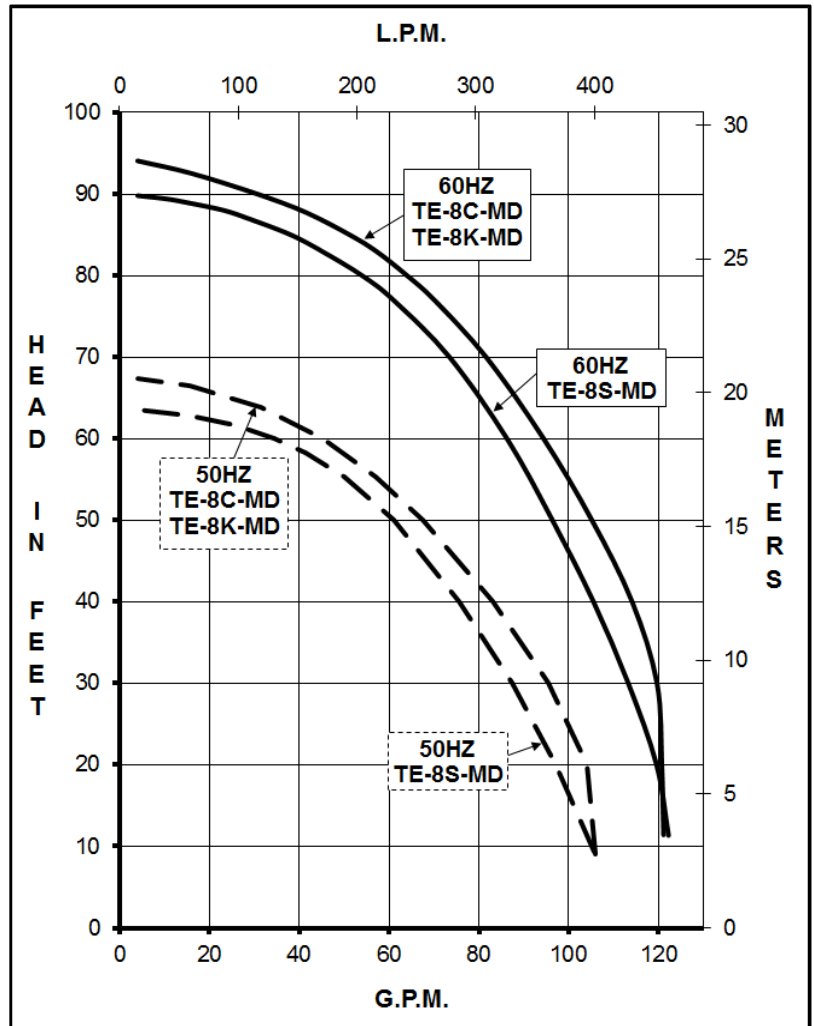
Pumps are not self-priming, lack a suction lift, and thus require a **flooded suction**. Pumps **cannot be run dry** because the impeller requires the liquid being pumped for lubrication. The direction of motor rotation should be clockwise when facing the inlet of the pump. For liquids with a specific gravity greater than water, have a higher viscosity, or for elevated temperatures, a trimmed impeller may be necessary. For application assistance, contact March Pump.

ASSEMBLY & DISASSEMBLY:

When replacing impeller bushings in the field, the plastic bushings must be bored to size after they have been pressed into the impeller. Bore to 0.630/0.632 I.D. The carbon & ceramic bushings are to finished size and do not require boring. When attaching the drive magnet to the motor shaft, position the face of the drive magnet 3/8 inch below the face of the motor bracket.

LIMITED WARRANTY:

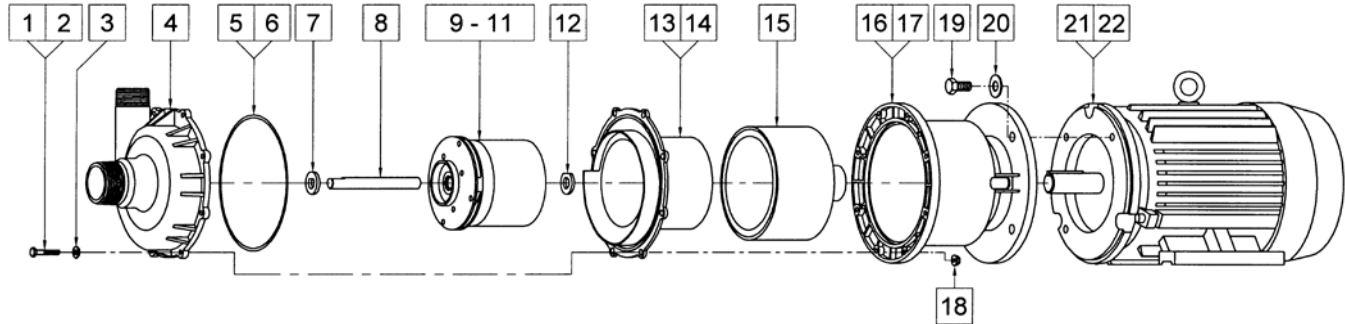
March pumps are guaranteed only against defects in workmanship or materials for a period of one year from date of manufacture pumping water. For the complete warranty and to register online go to www.marchpump.com/warranty-registration



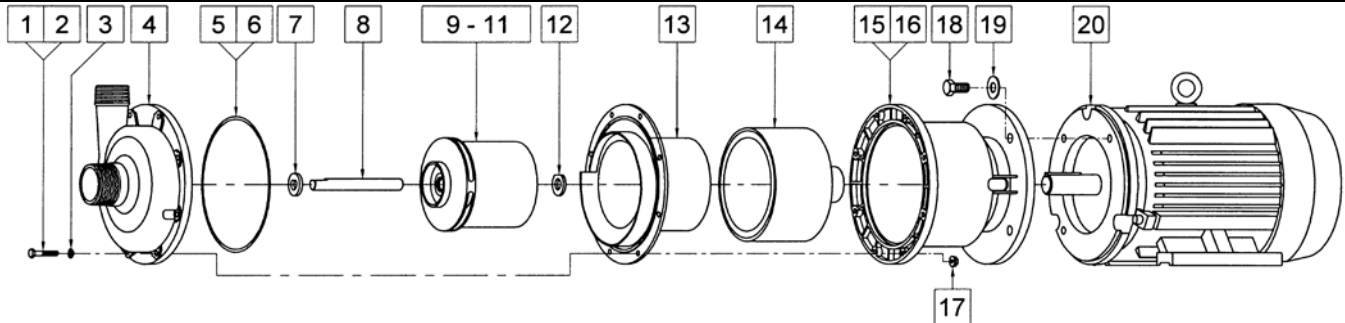
| SPECIFICATIONS | TE-8C-MD | | TE-8K-MD | | TE-8S-MD | |
|------------------------------------|---|-------------------------------------|-------------------------------------|-------------------------------------|-------------------------------------|-------------------------------------|
| | | | | | | |
| Model Abbreviations | C: Polypropylene | | K: Kynar | | S: Stainless Steel | |
| Max Flow | 60Hz - 50Hz | | 120 gpm - 400 lpm | | 120 gpm - 400 lpm | |
| Max Head | 60Hz - 50Hz | | 95 ft / 41.1 psi - 20 m | | 90 ft / 39 psi - 19.3 m | |
| Inlet - Outlet | 2" MPT - 1-1/2" MPT | | 2" MPT - 1-1/2" MPT | | 2" MPT - 1-1/2" MPT | |
| Max Internal Pressure | 50 psi / 3.4 bar | | 75 psi / 5 bar | | 200 psi / 13 bar | |
| Max Liquid Temperature | 190°F / 87°C | | 200°F / 93°C | | 250°F / 121°C | |
| Packed Weight | 142 lbs / 64.41 kg | | 180 lbs / 81.5 kg | | 180 lbs / 81.5 kg | |
| Overall Pump Size | Inches | | 10.86 x 12.73 x 24.68 | | 10.86 x 12.73 x 24.68 | |
| (H x W x L) | cm | | 27.5 x 32.3 x 62.6 | | 27.5 x 32.3 x 62.6 | |
| Motor Type | 60Hz | 50Hz | 60Hz | 50Hz | 60Hz | 50Hz |
| Rating / Duty | TEFC: Totally Enclosed Fan Cooled | | TEFC: Totally Enclosed Fan Cooled | | TEFC: Totally Enclosed Fan Cooled | |
| | U.L. listed motor / Continuous | | U.L. listed motor / Continuous | | U.L. listed motor / Continuous | |
| 3Ph | Watts - Amps | (230V) 2983 - 7.8 (190V) 1895 - 9.2 | (230V) 2983 - 7.8 (190V) 1895 - 9.2 | (230V) 2983 - 7.8 (190V) 1895 - 9.2 | (230V) 5030 - 12.6 (190V) 3310 - 15 | (230V) 5030 - 12.6 (190V) 3310 - 15 |
| | | (460V) 2983 - 3.9 (380V) 1895 - 4.6 | (460V) 2983 - 3.9 (380V) 1895 - 4.6 | (460V) 2983 - 3.9 (380V) 1895 - 4.6 | (460V) 5030 - 6.3 (380V) 3310 - 7.5 | (460V) 5030 - 6.3 (380V) 3310 - 7.5 |
| | Hp / Kw - Rpm | 3 - 3450 2.2 - 2850 | 3 - 3450 2.2 - 2850 | 3 - 3450 2.2 - 2850 | 5 - 3450 3.7 - 2850 | 5 - 3450 3.7 - 2850 |
| Electrical Connection | Conduit Box | | Conduit Box | | Conduit Box | |
| Materials in Contact With Solution | TE-8C-MD: Polypropylene, Kynar/Carbon Filled, Viton, Teflon/Ryton/Carbon, Ceramic TE-8K-MD: Kynar/Carbon Filled, Viton, Carbon, Ceramic TE-8S-MD: 316 Stainless Steel, Viton, Carbon, Ceramic | | | | | |

All specifications & data are based on pumping water & are intended as a guideline only. Specifications may vary with different motors.

PARTS LIST



| # | DESCRIPTION | TE-8C-MD | TE-8K-MD | SIZE (Inches) | QTY. | TE-8C-MD | TE-8K-MD |
|----|--|-------------------------|--------------------------|---------------------|------|----------------|----------------|
| 1 | Screw | | Stainless | 1/4-20 x 1-1/2 Lg. | 8 | 0153-0011-1000 | |
| 2 | Screw (Used w/Item #17) (Option) | | Stainless | 1/4-20 x 1-1/4 Lg. | 8 | 0157-0036-1000 | |
| 3 | Washer | | Stainless | 1/4 ID x 5/8 OD | 8 | 0157-0023-1000 | |
| 4 | Pump Housing | Polypropylene | Kynar | | 1 | 0157-0007-1000 | 0157-0052-1000 |
| 5 | "O" Ring | | Viton | 0.157 CS x 7.244 ID | 1 | 0157-0011-1000 | |
| 6 | "O" Ring (Option) | | Viton/Teflon | 1/8 CS x 7-1/2 OD | 1 | 0157-0032-1000 | |
| 7 | Thrust Washer (Front) | | Ceramic | | 1 | 0157-0001-1000 | |
| 8 | Shaft | | Ceramic | | 1 | 0157-0002-1000 | |
| 9 | Impeller w/Ryton Bushing | Polypropylene | Kynar (Option) | | 1 | 0157-0004-0200 | 0157-0050-0200 |
| 10 | Impeller w/Carbon Bushing | Polypropylene (Option) | Kynar | | 1 | 0157-0004-0500 | 0157-0050-0500 |
| 11 | Impeller w/Mica Teflon Bushing | Polypropylene (Option) | Kynar (Option) | | 1 | 0157-0004-0700 | 0157-0050-0700 |
| 12 | Thrust Washer (Rear) | | Ceramic | | 1 | 0157-0009-1000 | |
| 13 | Rear Housing | | Kynar | | 1 | 0157-0053-1000 | |
| 14 | Rear Housing | Ryton (Option) | | | 1 | 0157-0038-0000 | |
| 15 | Drive Magnet | | | | 1 | 0157-0005-0100 | |
| 16 | Motor Bracket | | Plastic | | 1 | 0157-0100-1000 | |
| 17 | Motor Bracket (Option) | | Metal | | 1 | 0157-0008-0000 | |
| 18 | Lock Nut (Serrated) | | Stainless | 1/4-20 | 8 | 0156-0053-1000 | |
| 19 | Screw | | Stainless | 1/2-13 x 1 Lg. | 4 | 0160-0031-1000 | |
| 20 | Washer | | Stainless | 1/2 ID x 1-1/4 OD | 4 | 0160-0032-1000 | |
| 21 | TEFC Motor, 3HP, 230/460V, 3 Phase, 50/60Hz | | | | 1 | 0157-0012-1000 | |
| 22 | TEFC Motor, 5HP, 230/460V, 3 Phase, 50/60Hz (Option) | | | | 1 | 0157-0065-1000 | |
| W | Wet End Kit | 1, 3, 4, 5, 7, 8, 9, 13 | 1, 3, 4, 5, 7, 8, 10, 13 | | 1 | 0157-0085-0100 | 0157-0086-0100 |



| # | DESCRIPTION | TE-8S-MD | SIZE (Inches) | QTY. | TE-8S-MD |
|----|---|---------------|---------------------|------|----------------|
| 1 | Screw | Stainless | 1/4-20 x 1-1/2 Lg. | 8 | 0153-0011-1000 |
| 2 | Screw (Used w/Item #16) (Option) | Stainless | 1/4-20 x 1-1/4 Lg. | 8 | 0157-0036-1000 |
| 3 | Lock Washer (Split) | Stainless | 1/4 | 8 | 0157-0037-1000 |
| 4 | Pump Housing | 316 Stainless | | 1 | 0157-0030-0000 |
| 5 | "O" Ring | Viton | 0.157 CS x 7.244 ID | 1 | 0157-0011-1000 |
| 6 | "O" Ring (Option) | Viton/Teflon | 1/8 CS x 7-1/2 OD | 1 | 0157-0032-1000 |
| 7 | Thrust Washer (Front) | Ceramic | | 1 | 0157-0001-1000 |
| 8 | Shaft | Ceramic | | 1 | 0157-0002-1000 |
| 9 | Impeller w/Carbon Bushing | 316 Stainless | | 1 | 0157-0029-0500 |
| 10 | Impeller w/Ryton Bushing (Option) | 316 Stainless | | 1 | 0157-0029-0200 |
| 11 | Impeller w/Mica Teflon Bushing (Option) | 316 Stainless | | 1 | 0157-0029-0700 |
| 12 | Thrust Washer (Rear) | Ceramic | | 1 | 0157-0009-1000 |
| 13 | Rear Housing | 316 Stainless | | 1 | 0157-0028-0000 |
| 14 | Drive Magnet | | | 1 | 0157-0005-0100 |
| 15 | Motor Bracket | Plastic | | 1 | 0157-0100-1000 |
| 16 | Motor Bracket (Option) | Metal | | 1 | 0157-0008-0000 |
| 17 | Lock Nut (Serrated) | Stainless | 1/4-20 | 8 | 0156-0053-1000 |
| 18 | Screw | Stainless | 1/2-13 x 1 Lg. | 4 | 0160-0031-1000 |
| 19 | Washer | Stainless | 1/2 ID x 1-1/4 OD | 4 | 0160-0032-1000 |
| 20 | TEFC Motor, 5HP, 230/460V, 3 Phase, 50/60Hz | | | 1 | 0157-0065-1000 |

Explosion proof and special voltage motors are available upon special order.

NOTE: Contact Factory for other materials and/or parts not listed.

0157-0021-1000 R15