



Formerly A. O. Smith Electrical Products Company

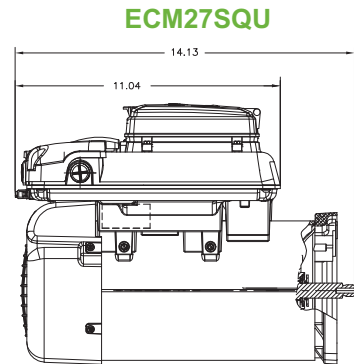


V-Green® 270 Premium Pool & Spa Motors

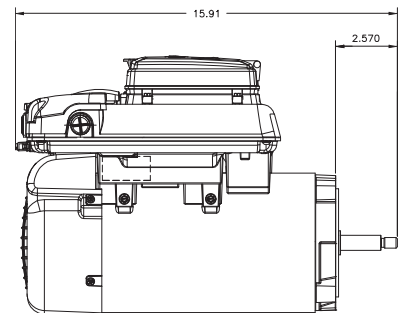
Variable Speed ECM

FEATURES

- Integrated Timer Interface
- On and Off Board Mountable Interface
- Timer Mode
- Manual Mode
- Freeze Protection
- Auxiliary Load Capacity
- Configurable Prime Settings
- Noise Reduction Design
- Adjustable Contrast
- Power Factor Correction
- Battery Backup - Program Saver
- LCD Display with Backlight
- Ball Bearing
- Factory Reset
- Rotation: CCWPE
- Single Phase
- 303 Stainless Steel Shaft
- Class F Insulation
- 50° C Ambient
- UV and Rain-Proof Enclosure



ECM27SQU



ECM27CU

THP	RPM	Volts	Service Factor	Full Load Amps	Flange	Percent Energy Savings*	V-Green 270 Stock Number
3/4 min. ~ 2.7 max.	3450-600	230	1.0	10.5/0.5	Square	80%	ECM27SQU
3/4 min. ~ 2.7 max.	3450-600	230	1.0	10.5/0.5	C-Face	80%	ECM27CU

*Savings over the equivalent single speed motor. Energy savings range of 40% - 80% or more depending on variables including user defined speed settings, duration of operation, environment, and unique hydraulic requirements for satisfactory pool filtration. See the Energy Savings Calculator at www.pool-motors.com to estimate savings potential.

The reasons a V-Green® 270 premium-efficiency replacement motor can offer such impressive savings are numerous including:

An integrated timer interface that allows for easier installation and operation of a variable speed motor. The all-in-one design reduces installation time and expense with no additional wiring required. The interface can be installed off-board at the pool owner's discretion with kit #2512723-001 (sold separately).

The amount of power required to move the water through the pipes drops much more quickly than the speed. While it may take one horsepower to move the water through the pipes on high speed, it only takes 1/8 horsepower to move one half as much water through those same pipes on low speed. Even when run on low speed twice as long to pump the same amount of water as on high speed, the lower horsepower results in significant energy savings.

Warranty Period - All Century V-Green motors are warranted against defects in materials and workmanship for a period of 18 months from the date of installation or 24 months from the date of manufacture, whichever comes first.

A Regal Brand





V-GREEN VARIABLE SPEED ECM MOTOR

Versatility and performance best describe Century's V-Green® 270 variable speed pump motor with integrated timer. Capable of delivering superior energy savings of between 40 percent and 80 percent versus a standard single-speed motor, V-Green 270 motors are well suited for pump applications ranging from 3/4 - 2.7 total horsepower (THP). The innovative V-Green variable speed ECM offers premium efficiency boosted by such features as Power Factor Correction, which raises overall efficiency while reducing input amps! The state-of-art user interface ensures programming ease and flexibility, with on-screen navigation, ergonomic selector switch, and pre-set programs for out-of-the box operation. Century's V-Green is Title 20** compliant and with three user-defined variable speeds is a superb choice for reducing energy consumption, for lowering overall pool ownership costs, and for satisfying regulatory requirements.



V-GREEN AUTOMATION ADAPTER KIT *(Sold Separately)*

#2517501-001 *(gray terminal box cover)*; #2517501-002 *(black terminal box cover)*

The versatile V-Green 270 replacement motor with integrated timer offers tremendous value when installed as a stand alone solution. With the addition of Century's new automation adapter (kit #2517501-001 or kit #2517501-002) the V-Green 270 can now be installed where third party pool automation systems already exist. The adapter kit allows for seamless integration and full control capability over motor features, and is suitable for use with the most common third party automation systems and controls. Integration is easy thanks to detailed yet simple to follow instructions.



Contents include — automation adapter (shown), digital input cable, lead cable, RS-485 connector, conduit fitting, terminal box cover assembly, plugs, screw driver, and instructions.

USER INTERFACE OFF-BOARD MOUNTING

Kit # 2512723-001 *(Sold Separately)*

For added convenience, the V-Green 270 user interface can be remotely mounted. Kit #2512723-001 includes all the necessary components to mount the 270 user interface to a wall, deck post, or other surface, including accessories to seal the controller unit to protect against the elements. Contents include — lead cable, terminal box cover assembly, gasket, conduit fitting, plugs, screws, anchors, and instructions.



Regal Beloit America, Inc.
1325 Heil Quaker Blvd.
LaVergne, TN 37086
PH: 866-887-5216
FAX: 800-468-2062

www.centuryelectricmotor.com

A Regal Brand



www.regalbeloit.com