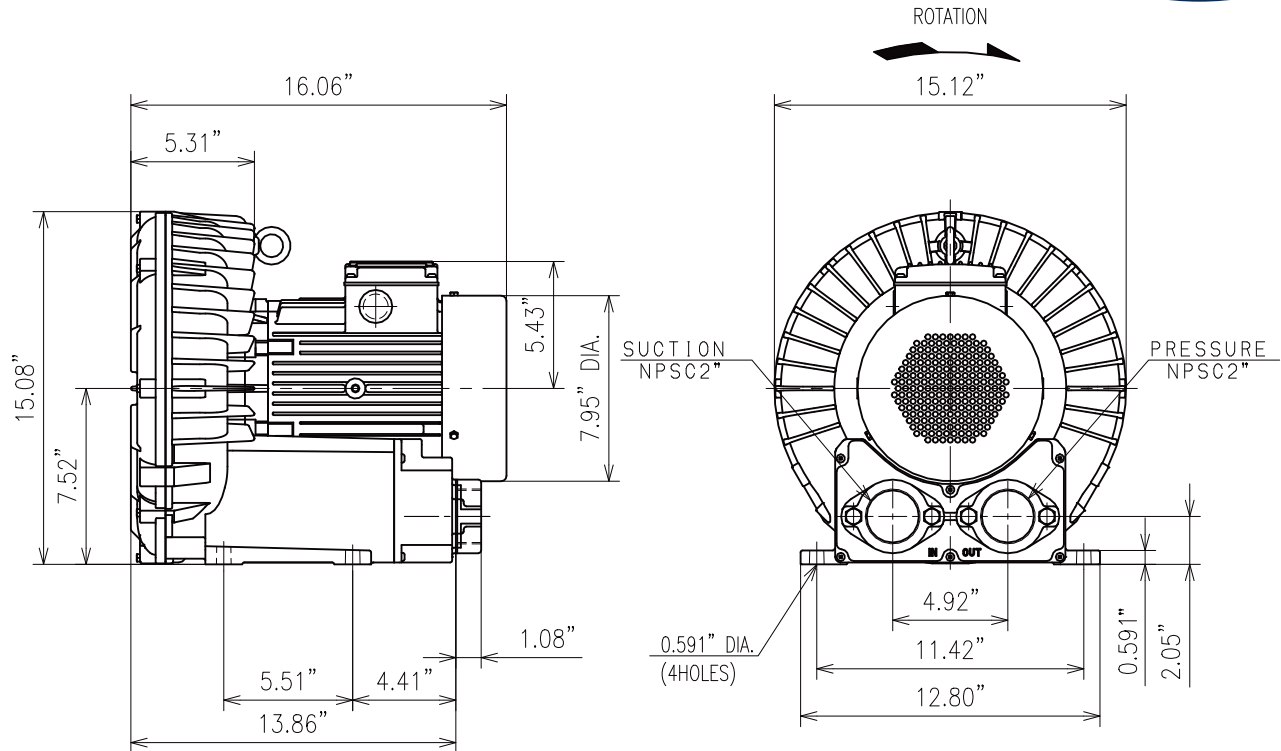


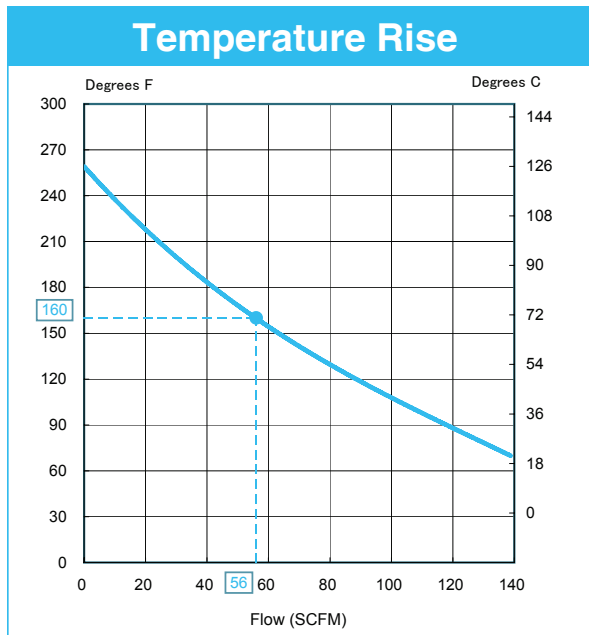
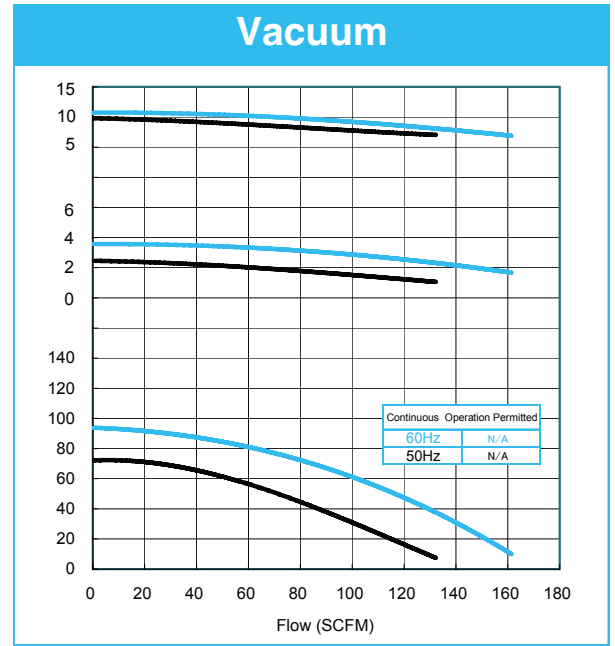
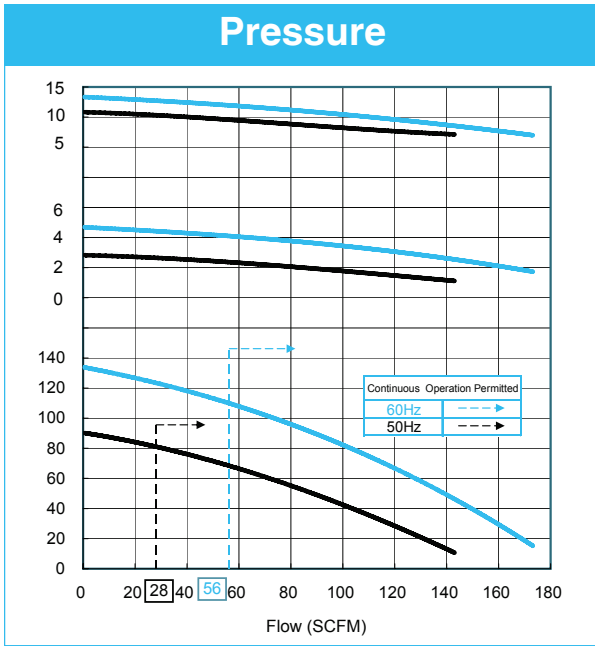
NEMA Premium
IE3



Specifications



Model	VFZ601A-7W	
HP	5.0HP	5.0HP
Hz	60	50
Phase	3	3
Voltage	208-230/460	200/400
Max. Amps	13.2-12.1/6.1	10.6/5.3
Locked Rotor Amps	119-132/66	120/60
Max. Pressure (in. H2O)	134	90
Max. Vacuum (in. H2O)	95	72
Max. Airflow Pressure (SCFM)	173	143
Max. Airflow Vacuum (SCFM)	161	132
Min. Airflow Pressure (SCFM)	56	28
Min. Airflow Vacuum (SCFM)	0	0
Max. Air Temperature Rise (°F)	160	149
Weight (lbs.)	108	108



Max. Air Temperature is Value Marked •
Plus 40 Degrees C Ambient Temperature

Accessories

Inlet Filter	F-67
Inlet Filter/ Silencer	FS-67
In-Line Vacuum Filter	IVF-67
Pressure Relief Valve	PV6
Vacuum Relief Valve	Not Required
Silencer 2"	VFY026A