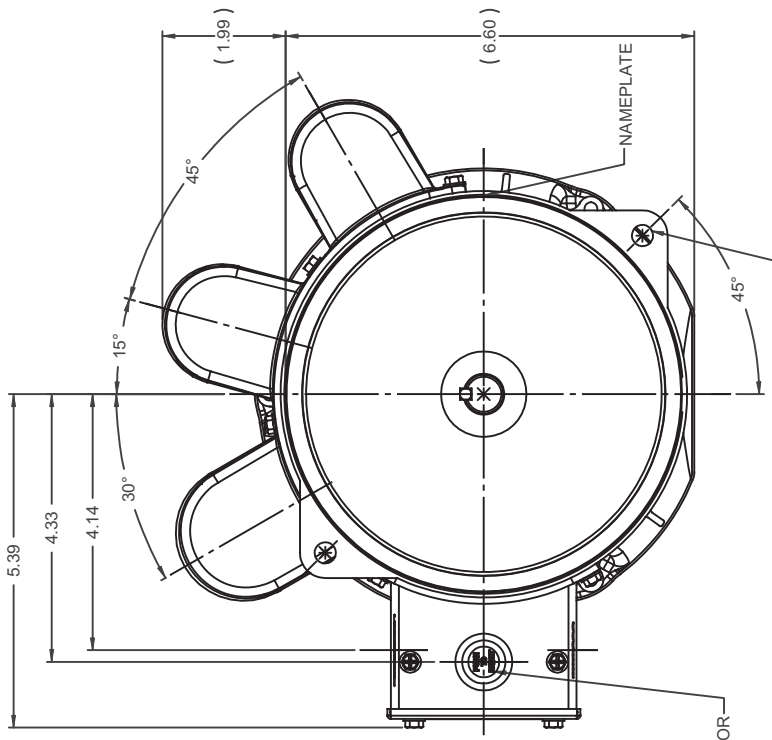
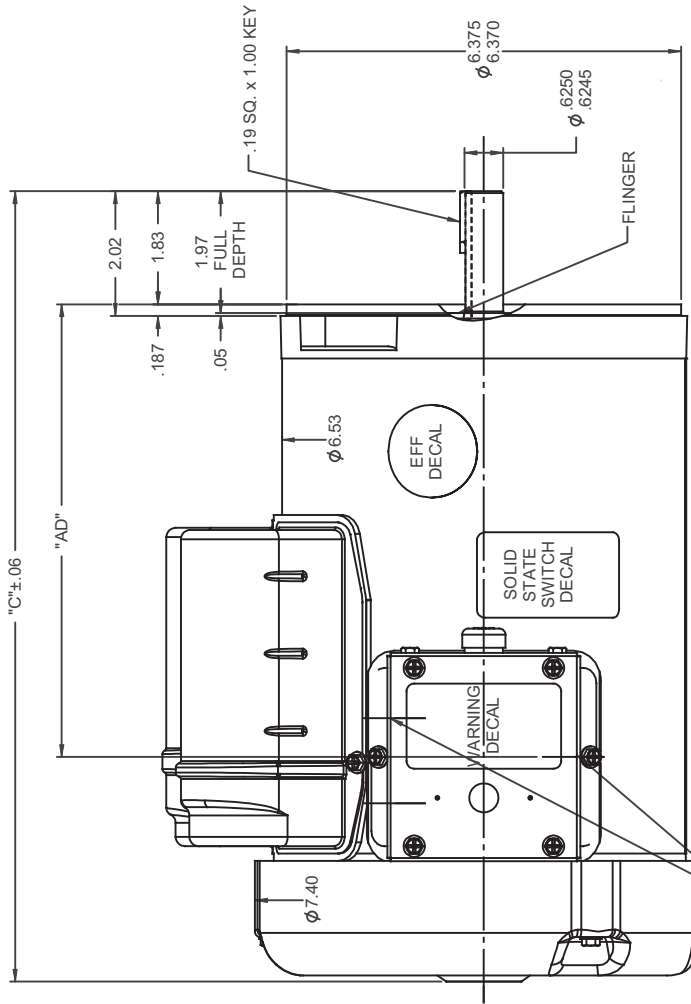
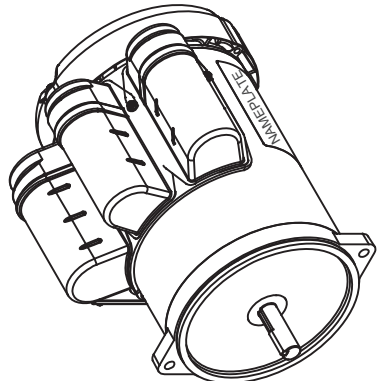


RBC PROPRIETARY AND CONFIDENTIAL INFORMATION
 This document is the property of REGAL BELLOTT CORPORATION ("RBC") including its subsidiaries and divisions and contains proprietary information of RBC. This document is loaned on the express condition that neither the information contained herein shall be disclosed, copied, reproduced, or otherwise used for any purpose other than that intended by RBC. This document shall be returned to RBC upon its request. This document may be subject to certain restrictions under U.S. export control laws and regulations.



DASH NO.	"C"	"AD"
700	11.77	6.32
750	12.27	6.82
800	12.77	7.32
850	13.27	7.82

NOTE:
 1) GASKETS THROUGHOUT



TOLERANCES UNLESS SPECIFIED		FINISH STANDARD	
UNIT	DECIMAL INCHES	CHK LANG	REF
X	±.1	BY & DATE	REF
XX	±.03	REV	PREV
XXX	±.005	NETWORK FILE NAME	028939
XXXX	±.0005	SIZE	B
		DRAWING NO	028939
		PAGE	1 OF 1
		REV	

DRAWN	DLJ01/06/09
CHK	RVD 01/06/09
APPR	RVD 01/06/09
SCALE	1:2
REF	OL113280
FMF	113280.00

LEESON	
ELECTRIC MOTORS GEARMOTORS AND DRIVES	
TITLE OUTLINE-J56N2 FRAME TEFC-OIL BURNER FLANGE	