

iMotor® Walk-In Cooler Evaporator Fan Motor

Direct Heatcraft OEM Replacement

Heatcraft Replacement Motors - Bohn, Chandler, Climate Control and Larkin

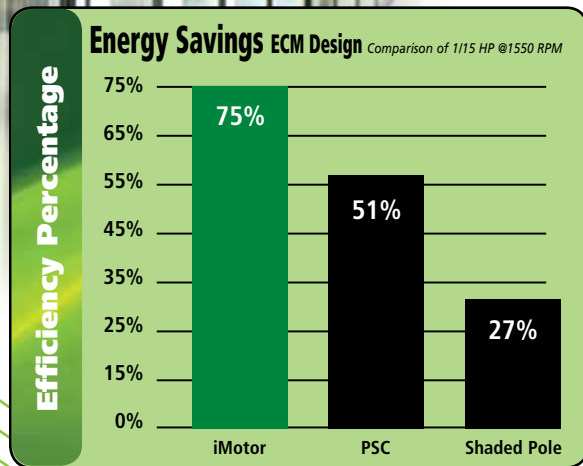


Features:

- Advanced ECM design (Electronically commutated motor)
- Ball Bearing
- Class B Insulation
- Single Speed
- 60 HZ
- 42 Frame
- Lyall Plug
- Four mounting studs on each end

HEATCRAFT CROSS REFERENCE

Century Motor	HeatCraft Replacement Motor
9215L	22617801, 22618001, 25307801, 25308001
9215H	22617701, 22617901, 25307701, 25307901
9216L	2531194
9216H	2531195

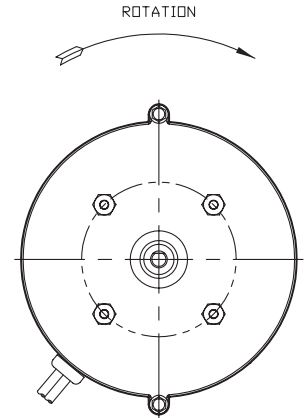
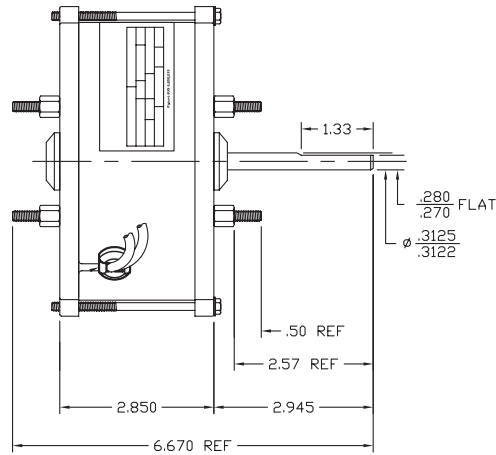
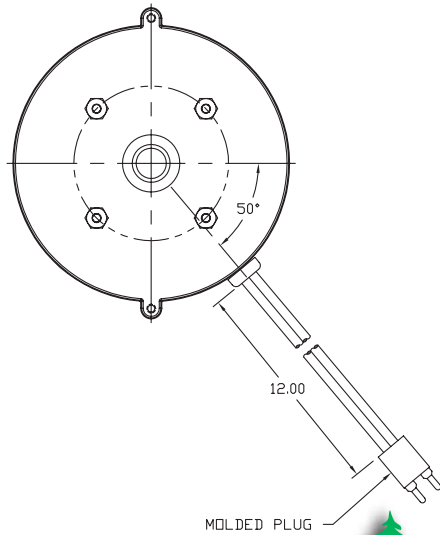


Stock Number	HP	Volts	Amps	RPM	Rotation	Shaft Dia. & Length	"A" Dim.
9215L	1/15, 1/20, 1/25	120	1.2	1625	CWSE	5/16 x 2.95"	2.85
9215H	1/15, 1/20, 1/25	230	0.7	1625	CWSE	5/16 x 2.95"	2.85
9216L	1/15, 1/20, 1/25	120	1.2	1625	CCWSE	5/16 x 2.95"	2.85
9216H	1/15, 1/20, 1/25	230	0.7	1625	CCWSE	5/16 x 2.95"	2.85

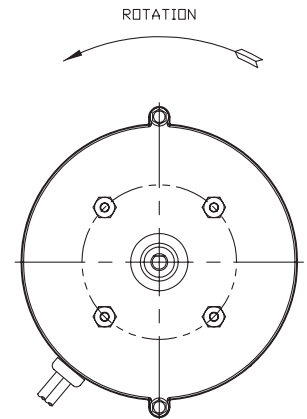
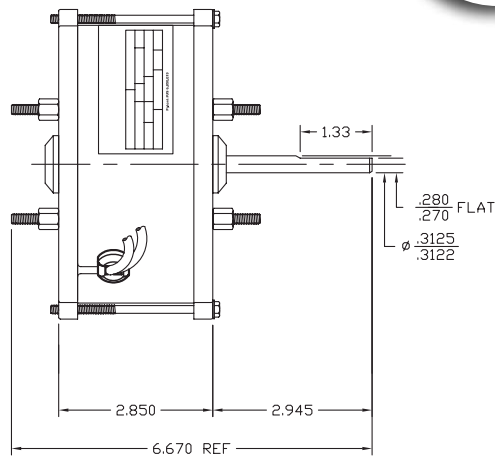
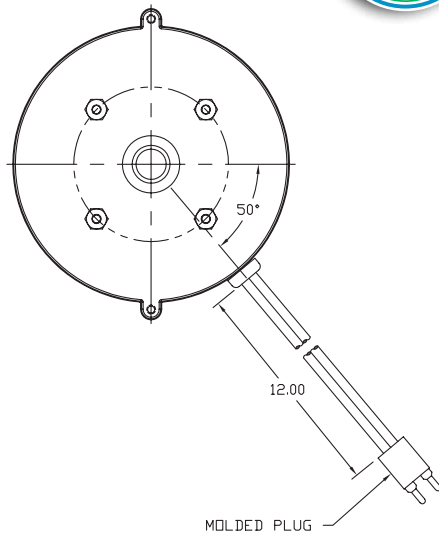
Replaces 1/15, 1/20, 1/25 HP PSC and low efficient shaded pole designs.

iMotor® Walk-In Cooler Evaporator Fan Motor

9215H 9215L



9216H 9216L



Distribution Marketing
1325 Heil Quaker Blvd.
LaVergne, TN 37086
PH: 800-672-6495
FAX: 800-468-2062

www.centuryelectricmotor.com

©2012 Regal-Beloit Corporation Bulletin 6032 6/2012

A Regal Brand

REGAL