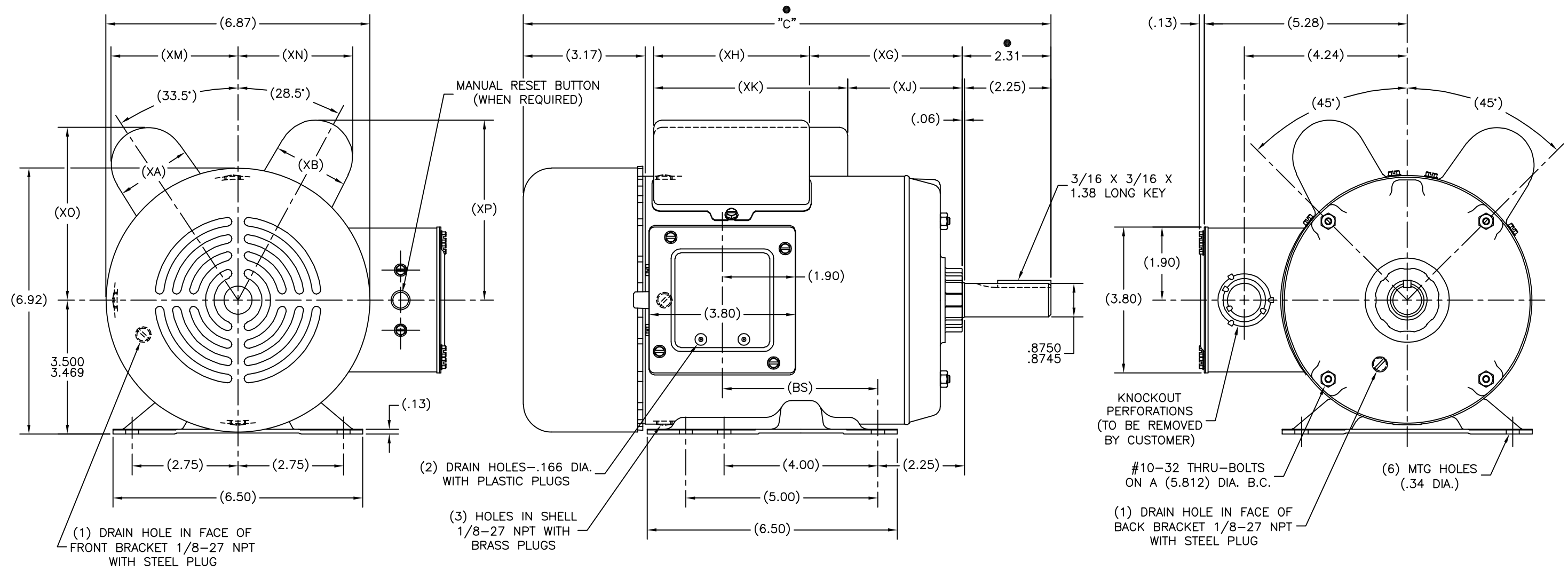


REV	ECO	REV BY	DATE	APPD	DATE
H	0001395	H.Sanchez	10-11-2008	C.Contreras	10-11-2008

ALL DIMENSIONS SHOWN IN PARENTHESIS ARE REFERENCE DIMENSIONS. ALL OTHER DIMENSIONS ARE TOLERANCED PER THE FOLLOWING CHART UNLESS OTHERWISE SPECIFIED.

- "C" DIM. = +/- .055
- SHAFT EXT. = +/- .034
- LEAD LENGTHS = +/- 1.00
- EXTENDED THRU-BOLTS = +/- .050
- ANGULAR DIM. = +/- 2'



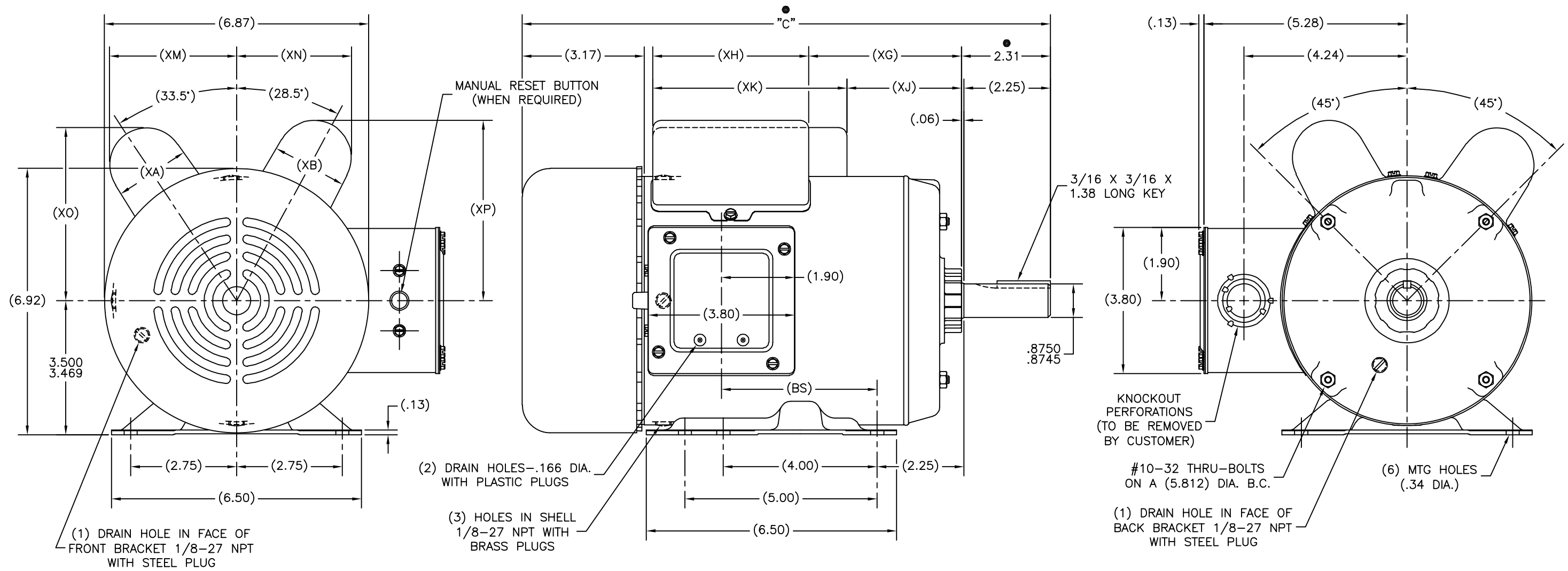
-03														
-02														
-01	CPF	N145T	14.23	4.55	2.01	2.01	3.34	5.06	3.34	5.06	2.48	2.24	3.37	3.52
GROUP	TYPE	FRAME	"C"	(BS)	(XA)	(XB)	(XG)	(XH)	(XJ)	(XK)	(XM)	(XN)	(XO)	(XP)

GEOMETRIC CHARACTERISTICS & SYMBOLS □ FLATNESS — STRAIGHTNESS ∠ ANGULARITY ⊥ PERPENDICULARITY (SQUARENESS) // PARALLELISM ○ ROUNDNESS (CIRCULARITY) Ⓞ ROUNDNESS (CIRCULARITY) Ⓢ CYLINDRICITY ≡ PROFILE OF ANY SURFACE ≡ PROFILE OF ANY LINE Ⓡ RUNOUT ⊕ TRUE POSITION ⊙ CONCENTRICITY = SYMMETRY	UNLESS OTHERWISE SPECIFIED DIM. TOLERANCES ARE AS FOLLOWS: INCH ±.1 ±.02 ±.005 ±.0005 mm ±0.5 ±0.13 ±0.013 ANG. ±.50 DEG REMOVE BURRS & BREAK SHARP EDGES: INCH .003-.015 mm 0.1-0.4 CORNER FILLETS TO: INCH .020 mm 0.5 MACHINE SURFACES: INCH 125 mm 3.2 METRIC DIMS. SHOWN IN [BRACKETS]	DR BY: DML	04-12-1985	AC Smith Innovation has a name. ELECTRICAL PRODUCTS COMPANY A DIVISION OF A. O. SMITH CORPORATION
		APPD: MJS	05-24-1985	
THIRD ANGLE PROJECTION		EDS DATE	EDS DATE	SIZE: D
CONFIDENTIAL: THIS DRAWING AND ITS INFORMATION ARE THE EXCLUSIVE AND CONFIDENTIAL PROPERTY OF A.O. SMITH CORP. AND ARE NOT TO BE DISCLOSED, DUPLICATED, DISTRIBUTED OR OTHERWISE USED WITHOUT THE WRITTEN CONSENT OF A.O. SMITH CORP. -ALL RIGHTS RESERVED. ASME Y14.5M 1994		FORMAT	REV: F	DWG NO: 166651
		SCALE: NONE		SHEET 1

REVISION: ECO	REVISADO POR: H.Sanchez	FECHA: 10-11-2008	APROBADO POR: C.Contreras	FECHA: 10-11-2008
H	0001395			

ALL DIMENSIONS SHOWN IN PARENTHESIS ARE REFERENCE DIMENSIONS. ALL OTHER DIMENSIONS ARE TOLERANCED PER THE FOLLOWING CHART UNLESS OTHERWISE SPECIFIED.

- "C" DIM. = +/- .055
- SHAFT EXT. = +/- .034
- LEAD LENGTHS = +/- 1.00
- EXTENDED THRU-BOLTS = +/- .050
- ANGULAR DIM. = +/- 2'



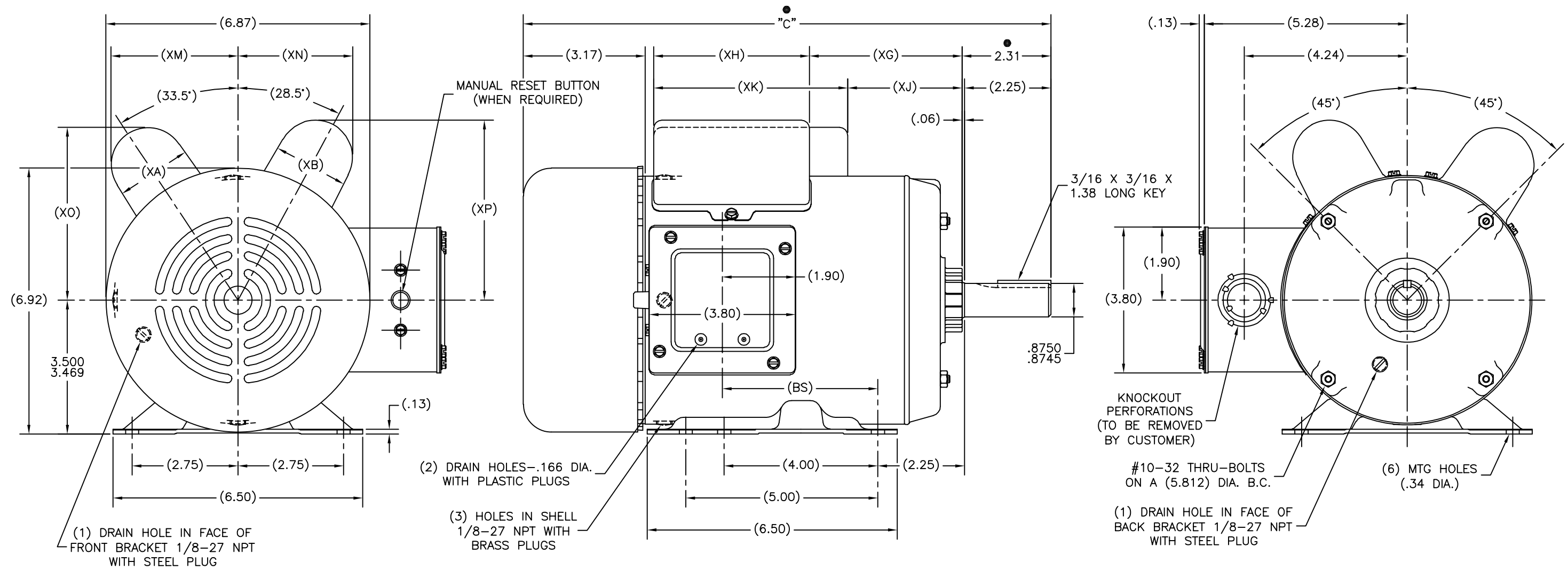
-03														
-02														
-01	CPF	N145T	14.23	4.55	2.01	2.01	3.34	5.06	3.34	5.06	2.48	2.24	3.37	3.52
GROUP	TYPE	FRAME	"C"	(BS)	(XA)	(XB)	(XG)	(XH)	(XJ)	(XK)	(XM)	(XN)	(XO)	(XP)

CARACTERISTICAS DE GEOMETRIA Y SIMBOLOS: □ PLANICIDAD — RECTITUD ∠ ANGULARIDAD ⊥ PERPENDICULARIDAD (A ESCUADRA) // PARALELISMO ○ REDONDEZ (CIRCULARIDAD) Ⓜ CILINDRICIDAD ≡ PERFIL DE CUALQUIER SUPERFICIE ⤴ PERFIL DE CUALQUIER LINEA ⤵ VARIACION ⊕ POSICION REAL ⊙ CONCENTRICIDAD = SIMETRIA	A MENOS QUE SE ESPECIFIQUE DE OTRA MANERA, LAS TOLERANCIAS DE LAS DIMS; SON LAS SIGUIENTES: PULG X XX XXX XXXX mm ±0.5 ±0.13 ±0.013 ANG. ±50 GRADOS ELIMINAR REBABAS Y ORILLAS FILOSAS DEL BORDE. PULG .003-.015 mm 0.1-0.4 FILETEAR ESQUINA: PULG .020 mm 0.5 MAQUINAR SUPERFICIES PULG 125 mm 3.2 DIMS METRICAS MOSTRADAS [PARENTESIS]	DIBUJADO POR: DML	04-12-1985	A.O. SMITH INNOVATION HAS A MAMA. ELECTRICAL PRODUCTS COMPANY A DIVISION OF A. O. SMITH CORPORATION
		APROBADO POR: MJS	05-24-1985	
TERCER ANGULO DE PROYECCION		FECHA EDS: EDS DATE REV. FORMATO: F		TAMANO: D NUMERO DE DIBUJO: 166651 ESCALA: NONE HOJA: 1
CONFIDENCIAL: ESTE DIBUJO Y SU INFORMACION SON PROPIEDAD DE USO EXCLUSIVO Y CONFIDENCIAL DE A.O. SMITH CORP. Y NO DEBERAN SER REVELADOS, DUPLICADOS, DISTRIBUIDOS O USARSE DE OTRA MANERA SIN EL CONSENTIMIENTO ESCRITO DE A.O. SMITH CORP. -TODOS LOS DERECHOS RESERVADOS. ASME Y14.5M 1994				

版本	ECO	编制	日期	批准	日期
H	0001395	H.Sanchez	10-11-2008	C.Contreras	10-11-2008

ALL DIMENSIONS SHOWN IN PARENTHESIS ARE REFERENCE DIMENSIONS. ALL OTHER DIMENSIONS ARE TOLERANCED PER THE FOLLOWING CHART UNLESS OTHERWISE SPECIFIED.

"C" DIM. = +/- .055  
 SHAFT EXT. = +/- .034  
 LEAD LENGTHS = +/- 1.00  
 EXTENDED THRU-BOLTS = +/- .050  
 ANGULAR DIM. = +/- 2'



-03														
-02														
-01	CPF	N145T	14.23	4.55	2.01	2.01	3.34	5.06	3.34	5.06	2.48	2.24	3.37	3.52
GROUP	TYPE	FRAME	"C"	(BS)	(XA)	(XB)	(XG)	(XH)	(XJ)	(XK)	(XM)	(XN)	(XO)	(XP)

<p>形位公差                  □ 平面度                  ⊥ 垂直度                  ∠ 倾斜度                  // 平行度                  ○ 圆度                  ⊙ 圆柱度                  ⊖ 面轮廓度                  ⊕ 线轮廓度                  ⊕ 圆跳动                  ⊕ 位置度                  ⊕ 同轴度                  ⊕ 对称度</p>	<p>除另有注明                  尺寸公差如下:                  英寸 X XX XXX XXXX                  毫米 ±.1 ±.02 ±.005 ±.0005                  毫米 ±0.5 ±0.13 ±0.013                  角度 ±.50 度                  清理毛刺和尖棱                  英寸 .003-.015 毫米 0.1-0.4                  内圆角                  英寸 .020 毫米 0.5                  表面粗糙度                  英制 125 米制 3.2                  米制尺寸显示在 [ ]</p>	<p>绘图: DML                  批准: MJS                  第三角投影</p>	<p>04-12-1985                  05-24-1985                  图纸格式发布日期 EDS DATE                  图纸格式版本 F</p>	<p><b>AC Smith</b>                  innovation has a name.  <b>ELECTRICAL PRODUCTS COMPANY</b>                  A DIVISION OF A. O. SMITH CORPORATION</p> <p>名称: OUTLINE                  图幅: D 图号: 166651                  比例: NONE 页号: 1</p>
---	--	--	--	--

ASME Y14.5M 1994