

PRODUCT INFORMATION PACKET



Model No: C184K34DB8A

Catalog No: 132044.00

..7 1/2HP..3450RPM.184.DP./208-230V.1PH.60HZ.CONT.40C.1.15SF.RIGID.C184K34DB8A.....AIR
COMPRESSOR.AUTOMATIC.....

Air Compressor



Regal and Leeson are trademarks of Regal Beloit Corporation or one of its affiliated companies.

©2018 Regal Beloit Corporation, All Rights Reserved. MC017097E





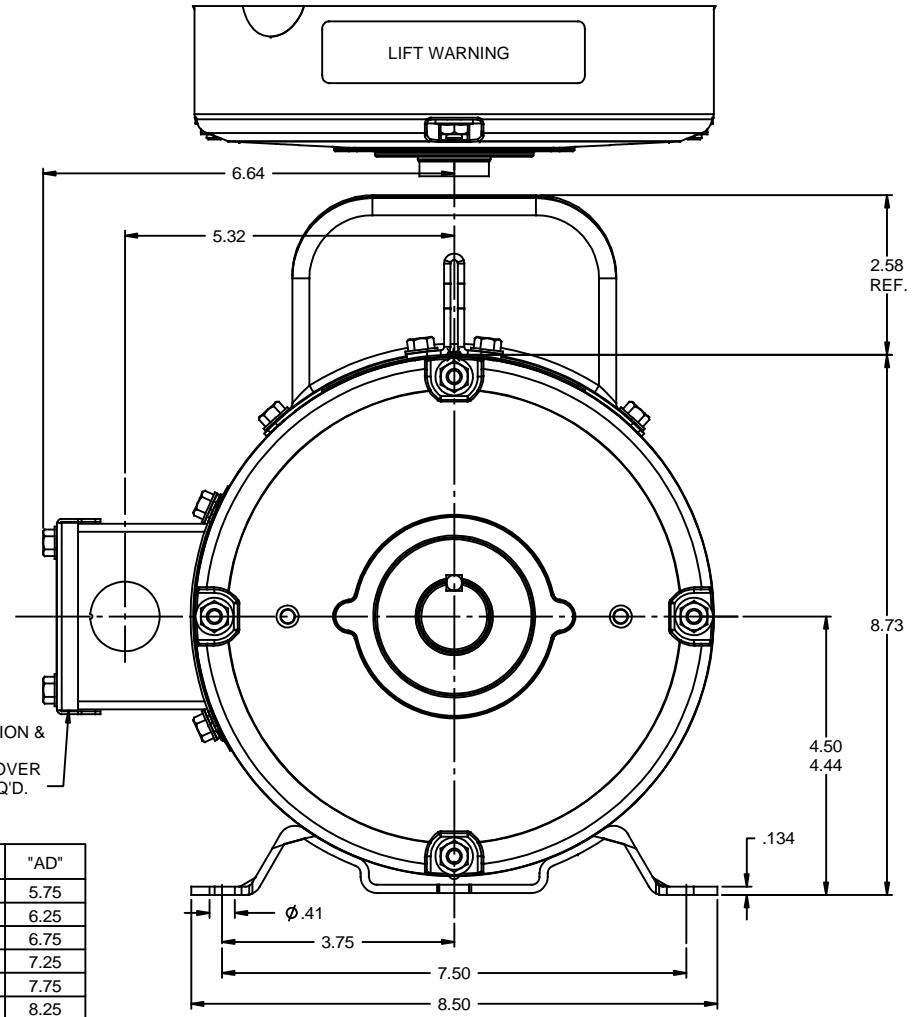
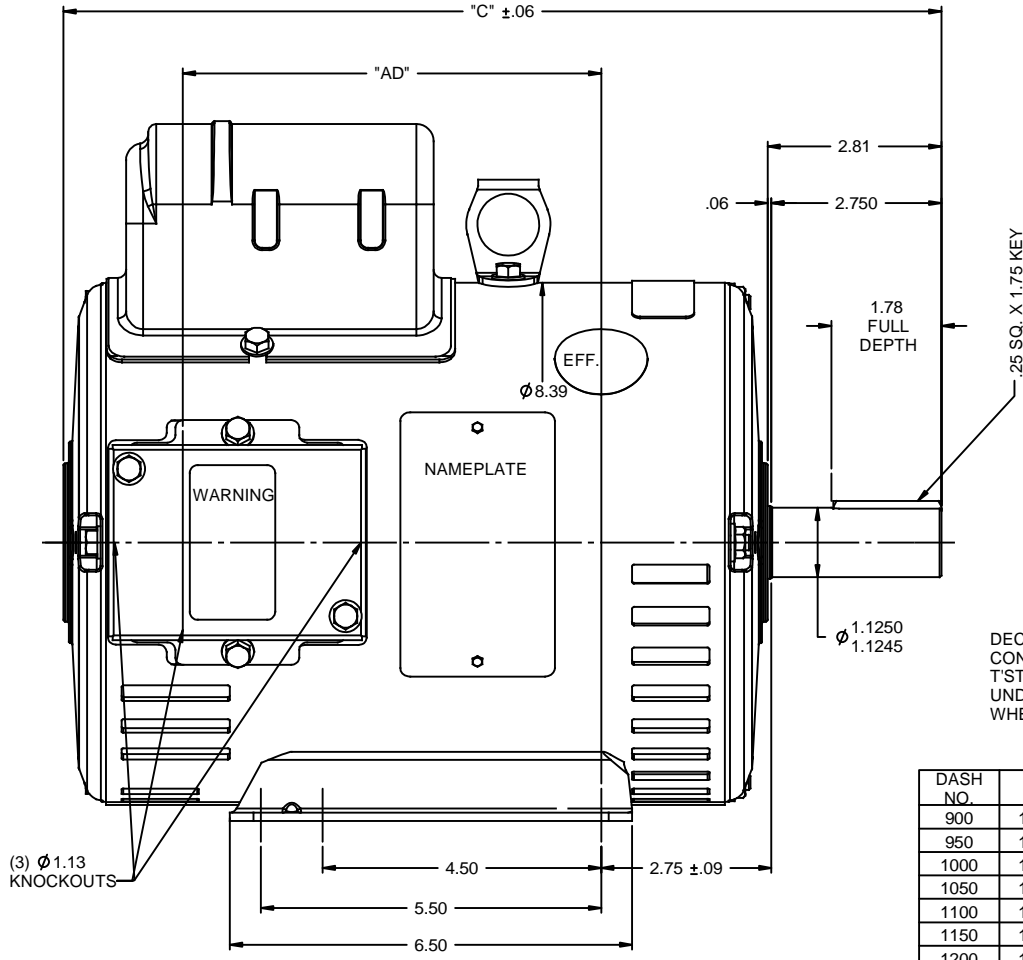
Nameplate Specifications

Output HP	7.5 Hp	Output KW	5.6 kW
Frequency	60 Hz	Voltage	208-230 V
Current	34-31 A	Speed	3450 rpm
Service Factor	1.15	Phase	1
Efficiency	82.5 %	Duty	CONTINUOUS
Insulation Class	F	Design Code	L
KVA Code	H	Frame	184T
Enclosure	DP	Overload Protector	AUTOMATIC
Ambient Temperature	40 °C	Drive End Bearing Size	6206
Opp Drive End Bearing Size	6205	UL	Recognized
CSA	Y	CE	N
IP Code	22		

Technical Specifications

Electrical Type	CAP START CAP RUN	Starting Method	ACROSS THE LINE
Poles	2	Rotation	SELECTIVE CCW
Mounting	RIGID	Motor Orientation	HORIZONTAL
Drive End Bearing	BALL	Opp Drive End Bearing	BALL
Frame Material	ROLLED STEEL	Shaft Type	T
Overall Length	16.69 in	Frame Length	12.5 in
Shaft Diameter	1.13 in	Shaft Extension	2.75 in
Assembly/Box Mounting	F1 ONLY		
Outline Drawing	035370-1250	Connection Diagram	5018.3

RBC PROPRIETARY AND CONFIDENTIAL INFORMATION
 This document is the property of REGAL BELOIT CORPORATION ("RBC") including its subsidiaries and divisions and contains proprietary information of RBC. This document is loaned on the express condition that neither it nor the information contained therein shall be disclosed to others without the express written consent of RBC, and that the information shall be used by the recipient only as approved expressly by RBC. This document shall be returned to RBC upon its request. This document may be subject to certain restrictions under U.S. export control laws and regulations.



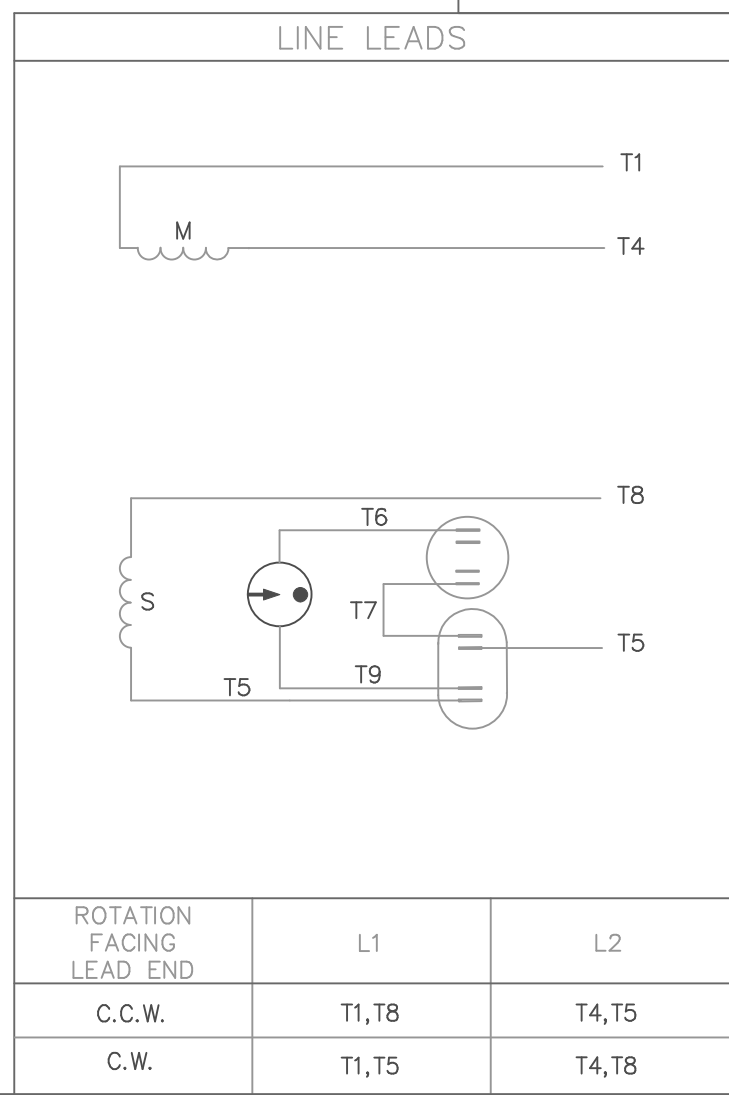
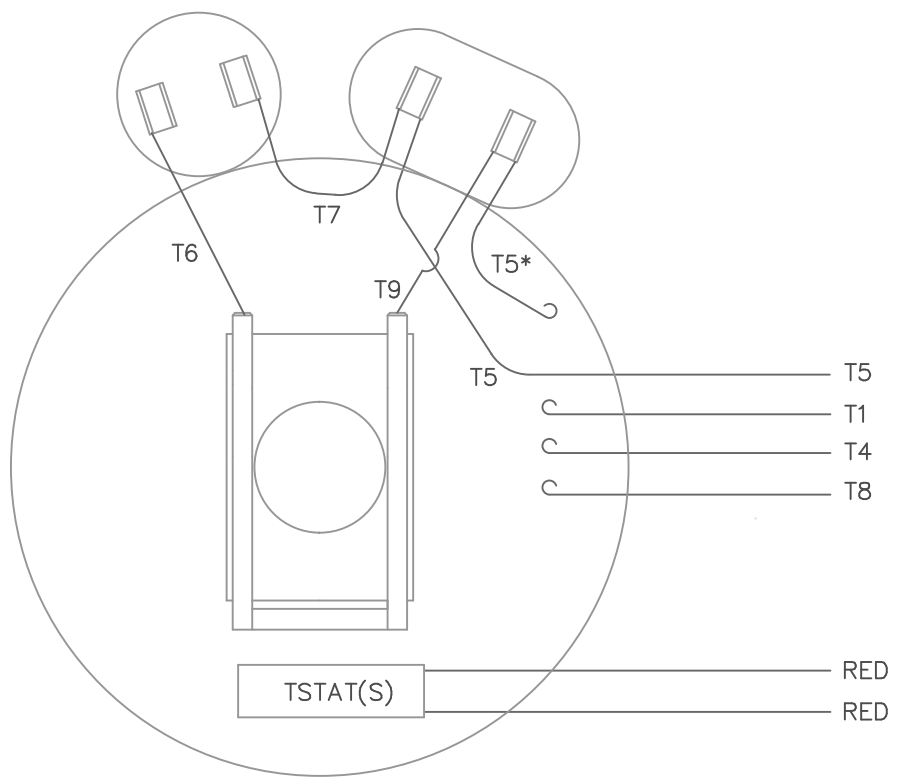
DASH NO.	"C"	"AD"
900	13.19	5.75
950	13.69	6.25
1000	14.19	6.75
1050	14.69	7.25
1100	15.19	7.75
1150	15.69	8.25
1200	16.19	8.75
1250	16.69	9.25

DECAL- CONNECTION & T'STATS. UNDER COVER WHEN REQ'D.

GASKETS THROUGHOUT

		TOLERANCES UNLESS SPECIFIED:		DRAWN PG 10/02/97	
		DEC	INCHES	CHK	
		X	±.1	APPR	
		.XX	±.03	TITLE OUTLINE - 180T FRAME	
		.XXX	±.005	DRIP PROOF - RIGID MOUNT	
- UPDATED & REDRAWN IN SOLIDWORKS		LST 12/23/2009	XX .XXX	±.0005	MAT'L
NO		REVISION	BY & DATE	CHK ANG ±1/2°	FINISH
				RFP	PREV
		THIRD ANGLE PROJECTION		SIZE	DRAWING NO
				B	035370
				REV	-

VIEW FROM OUTSIDE OF MOTOR AT SWITCH END.



* THIS LEAD MAY BE WHITE

				TOLERANCES UNLESS OTHERWISE SPECIFIED		LEESON ELECTRIC CORPORATION		
				DECIMALS				
				.00	± .01	DRAWN MDN 10/13/98	TITLE	
				.000	± .005	CH'K'D.	EXTERNAL WIRING DIAGRAM TYPE "K" W/O PROTECTOR	
01	ADDED "THIS LEAD MAY BE WHITE" NOTE	BJB	09/15/04	.0000	± .0005	APPR.	MAT'L.	
NO.	REVISION	BY	DATE	FRACTIONS	± 1/64	SCALE 1=1	DECAL - 004018 TSTAT - 080582	
THIS DRAWING IN DESIGN AND DETAIL IS OUR PROPERTY AND MUST NOT BE USED EXCEPT IN CONNECTION WITH OUR WORK ALL RIGHTS OF DESIGN AND INVENTION ARE RESERVED				ANGLES	± 1/2"	REF.	FINISH	
				INCH/MM		FMF	SIZE	DRAWING NO.
							A	005018-30