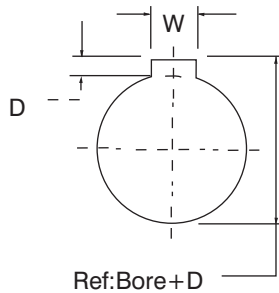




### AK & BK CAST IRON SHEAVES

- Manufactured in high quality grey cast iron
- Finished bore with H7 precision
- Keyway and set screws in accordance with USAS. B. 17.1-1967
- OEM surface treatment available: paint or black phosphate - contact LEESON
- Individually packaged

V PULLEYS



ISO STANDARD METHOD  
FOR MEASURING KEYSEAT  
DEPTH

Depth measured at centerline.

Reference:

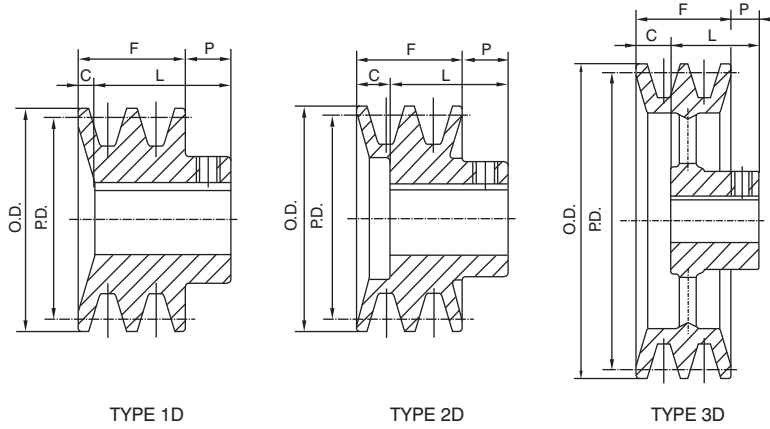
1 inch=25.4 millimeters

1 millimeter=0.3937 inches.

### STANDARD KEYSEATS

Stock Bores	Keyseats	Stock Bores	Keyseats
1/2	None	1	1/4x1/8
9/16	1/8x1/16	1 1/16	1/4x1/8
5/8	3/16x3/32	1 1/8	1/4x1/8
11/16	3/16x3/32	1 3/16	1/4x1/8
3/4	3/16x3/32	1 1/4	1/4x1/8
13/16	3/16x3/32	1 3/8	1/4x1/8
7/8	3/16x3/32	1 3/8	1/4x1/8
15/16	1/4x1 1/8	1 7/16	3/8x3/16

**2BK SHEAVES**



V PULLEYS

**2 GROOVE • A, B, 4L & 5L BELTS**

Part Number	Diameter			Type	Dimensions				Stock Bores										Wgt. Lbs		
	O.D.	P.D. A	P.D. B		F	L	P	C	1/2	5/8	3/4	7/8	15/16	1	1 1/8	1 3/16	1 1/4	1 3/8		1 7/16	
2BK25	2.50	1.90	2.30	1D	1 3/4	1 31/32	15/32	1/4	●	●	●	●	●	●	●						1.3
2BK27	2.70	2.10	2.50	1D	1 3/4	1 31/32	15/32	1/4	●	●	●	●	●	●	●						1.6
2BK28	2.95	2.20	2.60	1D	1 3/4	1 31/32	15/32	1/4	●	●	●	●	●	●	●						1.9
2BK30	3.15	2.40	2.80	1D	1 3/4	1 31/32	15/32	1/4	●	●	●	●	●	●	●						2.3
2BK32	3.35	2.60	3.00	1D	1 3/4	1 31/32	15/32	1/4		●		●	●	●	●						2.6
2BK34	3.55	2.80	3.20	1D	1 3/4	1 31/32	15/32	1/4		●	●	●	●	●	●						2.8
2BK36	3.75	3.00	3.40	1D	1 3/4	1 31/32	15/32	1/4			●	●	●	●	●			●			3.3
2BK40	3.95	3.20	3.60	2D	1 3/4	1 15/32	15/32	3/4		●	●	●	●	●	●				●		3.4
2BK45	4.25	3.50	3.90	2D	1 3/4	1 15/32	15/32	3/4				●	●	●	●				●		3.6
2BK47	4.45	3.70	4.10	2D	1 3/4	1 15/32	15/32	3/4				●	●	●	●						3.7
2BK50	4.75	4.00	4.40	2D	1 3/4	1 15/32	15/32	3/4			●		●	●	●				●		4.1
2BK52	4.95	4.20	4.60	2D	1 3/4	1 15/32	15/32	3/4				●	●	●	●				●		4.5
2BK55	5.25	4.50	4.90	2D	1 3/4	1 15/32	15/32	3/4				●	●	●	●				●		4.8
2BK57	5.45	4.70	5.10	2D	1 3/4	1 15/32	15/32	3/4					●	●	●				●		5.1
2BK60	5.75	5.00	5.40	3D	1 3/4	1 15/32	15/32	3/4			●	●	●	●	●				●		4.9
2BK62	5.95	5.20	5.60	3D	1 3/4	1 15/32	15/32	3/4					●	●	●				●		4.8
2BK65	6.25	5.50	5.90	3D	1 3/4	1 15/32	15/32	3/4					●	●	●				●		5.0
2BK67	6.45	5.70	6.10	3D	1 3/4	1 15/32	15/32	3/4					●	●	●				●		5.5
2BK70	6.75	6.00	6.40	3D	1 3/4	1 19/32	11/32	1/2			●		●	●	●				●		6.0
2BK80	7.75	7.00	7.40	3D	1 3/4	1 19/32	11/32	1/2			●		●	●	●				●	●	7.2
2BK90	8.75	8.00	8.40	3D	1 3/4	1 19/32	11/32	1/2			●		●	●	●				●	●	8.4
2BK100	9.75	9.00	9.40	3D	1 3/4	1 19/32	11/32	1/2			●		●	●	●				●	●	9.4
2BK110	10.75	10.00	10.40	3D	1 3/4	1 19/32	11/32	1/2					●	●	●				●	●	10.4
2BK120	11.75	11.00	11.40	3D	1 3/4	1 19/32	11/32	1/2					●	●	●				●	●	11.8
2BK130	12.75	12.00	12.40	3D	1 3/4	1 19/32	11/32	1/2					●	●	●				●	●	14.9
2BK140	13.75	13.00	13.40	3D	1 3/4	1 19/32	11/32	1/2					●	●	●				●	●	16.3
2BK160	15.75	15.00	15.40	3D	1 3/4	1 19/32	11/32	1/2					●	●	●				●	●	18.0
2BK190	18.75	18.00	18.40	3D	1 3/4	1 19/32	11/32	1/2					●	●	●				●	●	23.3