

A/B-C-D • CAST IRON SHEAVES



LEESON offers a comprehensive line of A/B-C-D pulleys for "Quick Detachable" (QD) taper bushings.

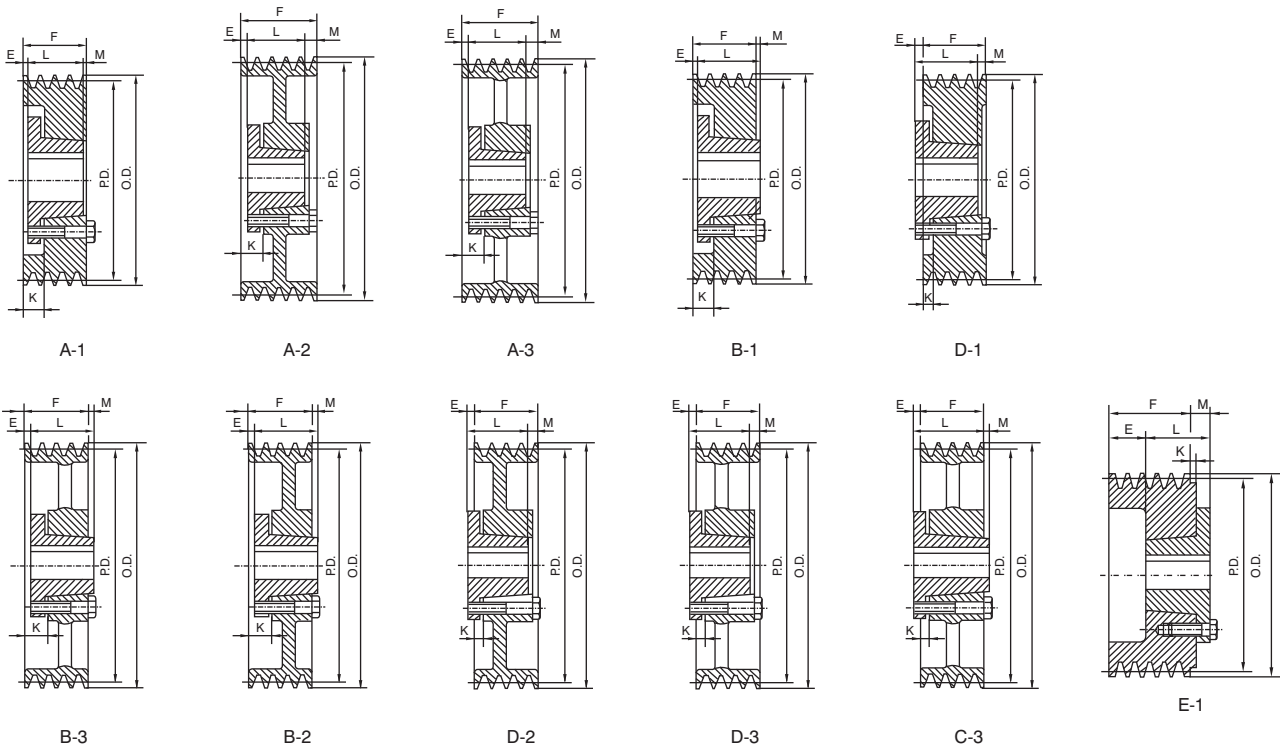
Also referred to as classical V-Belt sheaves each item is made under ISO quality assurance systems.

Features:

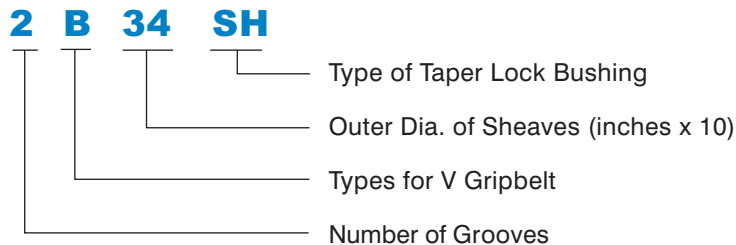
GG25 high performance cast iron

Precision CNC machining

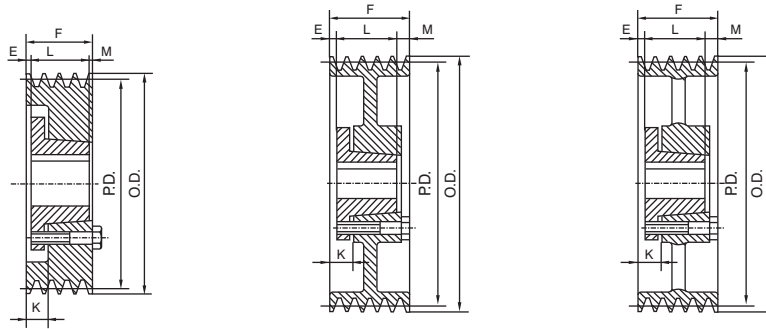
Precision balancing to 06.3



NOMENCLATURE FOR TAPER-LOCK SHEAVES FOR STANDARD NARROW V BELT



A/B-C-D



A-1

A-2

A-3

C-10

F = 10 3/8" (263.53mm)

Part No.	O.D.	P.D.	Bush Max Bore	Bush	Type	Db	E	K	L	M	Wgt. Less Bush
10 C 80 E	8.40	8.00	3 1/2	E	A1	—	23/8	3 1/4	2 5/8	5 3/8	42
10 C 85 E	8.90	8.50	3 1/2	E	A1	—	23/8	3 1/4	2 5/8	5 3/8	48
10 C 90 F	9.40	9.00	3 15/16	F	A1	—	23/8	3 9/16	3 5/8	4 3/8	54
10 C 95 J	9.90	9.50	4 1/2	J	A1	—	23/8	3 9/16	4 1/2	3 1/2	60
10 C 100 J	10.40	10.00	4 1/2	J	A1	—	23/8	3 9/16	4 1/2	3 1/2	68
10 C 105 J	10.90	10.50	4 1/2	J	A1	—	23/8	3 9/16	4 1/2	3 1/2	75
10 C 110 J	11.40	11.00	4 1/2	J	A1	—	23/8	3 9/16	4 1/2	3 1/2	90
10 C 120 J	12.40	12.00	4 1/2	J	A1	—	23/8	3 9/16	4 1/2	3 1/2	106
10 C 130 J	13.40	13.00	4 1/2	J	A2	7 3/4	23/8	3 9/16	4 1/2	3 1/2	110
10 C 140 J	14.40	14.00	4 1/2	J	A2	7 3/4	23/8	3 9/16	4 1/2	3 1/2	124
10 C 150 J	15.40	15.00	4 1/2	J	A2	7 3/4	23/8	3 9/16	4 1/2	3 1/2	138
10 C 160 J	16.40	16.00	4 1/2	J	A3	7 3/4	23/8	3 9/16	4 1/2	3 1/2	145
10 C 180 J	18.40	18.00	4 1/2	J	A3	7 3/4	23/8	3 9/16	4 1/2	3 1/2	168
10 C 200 J	20.40	20.00	4 1/2	J	A3	7 3/4	23/8	3 9/16	4 1/2	3 1/2	182
10 C 240 M	24.40	24.00	5 1/2	M	A3	9 1/2	1/2	1 15/16	6 3/4	3 1/8	272
10 C 300 M	30.40	30.00	5 1/2	M	A3	9 1/2	1/2	1 15/16	6 3/4	3 1/8	355
10 C 360 M	36.40	36.00	5 1/2	M	A3	9 1/2	1/2	1 15/16	6 3/4	3 1/8	455
10 C 440 M	44.40	44.00	5 1/2	M	A3	9 1/2	1/2	1 15/16	6 3/4	3 1/8	544
10 C 500 M	50.40	50.00	5 1/2	M	A3	9 1/2	1/2	1 15/16	6 3/4	3 1/8	622

A/B-C-D

C-12

F = 12 3/8" (314.33mm)

Part No.	O.D.	P.D.	Bush Max Bore	Bush	Type	Db	E	K	L	M	WT Less Bush
12 C 90 F	9.40	9.00	3 15/16	F	A1	—	27/8	4 1/16	3 5/8	5 7/8	63
12 C 95 J	9.90	9.50	4 1/2	J	A1	—	27/8	4 1/16	4 1/2	5	75
12 C 100 J	10.40	10.00	4 1/2	J	A1	—	27/8	4 1/16	4 1/2	5	84
12 C 105 J	10.90	10.50	4 1/2	J	A1	—	27/8	4 1/16	4 1/2	5	89
12 C 110 J	11.40	11.00	4 1/2	J	A1	—	27/8	4 1/16	4 1/2	5	97
12 C 120 J	12.40	12.00	4 1/2	J	A1	—	27/8	4 1/16	4 1/2	5	119
12 C 130 J	13.40	13.00	4 1/2	J	A2	7 3/4	27/8	4 1/16	4 1/2	5	125
12 C 140 J	14.40	14.00	4 1/2	J	A2	7 3/4	27/8	4 1/16	4 1/2	5	139
12 C 150 J	15.40	15.00	4 1/2	J	A2	7 3/4	27/8	4 1/16	4 1/2	5	156
12 C 160 J	16.40	16.00	4 1/2	J	A3	7 3/4	27/8	4 1/16	4 1/2	5	175
12 C 180 J	18.40	18.00	4 1/2	J	A3	7 3/4	27/8	4 1/16	4 1/2	5	185
12 C 200 M	20.40	20.00	5 1/2	M	A3	9 1/2	1/2	1 15/16	6 3/4	5 1/8	228
12 C 240 M	24.40	24.00	5 1/2	M	A3	9 1/2	1/2	1 15/16	6 3/4	5 1/8	287
12 C 270 M	27.40	27.00	5 1/2	M	A3	9 1/2	1/2	1 15/16	6 3/4	5 1/8	350
12 C 300 M	30.40	30.00	5 1/2	M	A3	9 1/2	1/2	1 15/16	6 3/4	5 1/8	430
12 C 360 M	36.40	36.00	5 1/2	M	A3	9 1/2	1/2	1 15/16	6 3/4	5 1/8	565
12 C 440 M	44.40	44.00	5 1/2	M	A3	9 1/2	1/2	1 15/16	6 3/4	5 1/8	595
12 C 500 M	50.40	50.00	5 1/2	M	A3	9 1/2	1/2	1 15/16	6 3/4	5 1/8	607

FOR QTL TAPER BUSHING - SEE PAGE 10