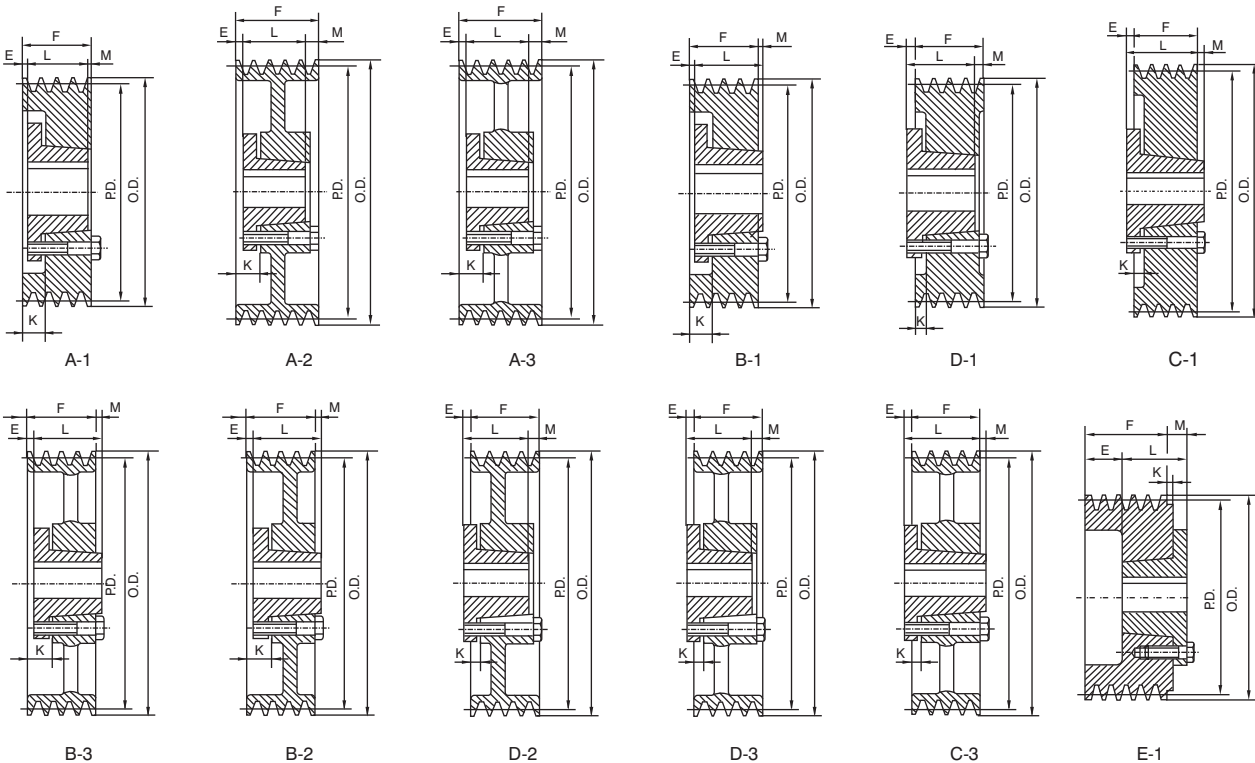


3V-5V-8V • CAST IRON SHEAVES

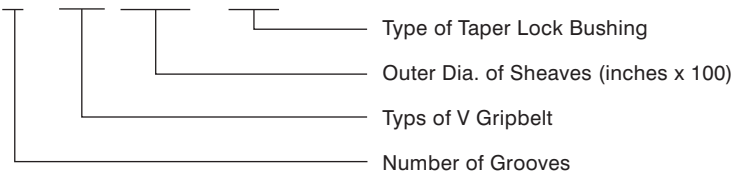


LEESON's series of taper bore V-pulleys are made of high-grade GG25 cast iron. They are matched with QTL "Quick Detachable" (QD) bushings for easy on-and-off use. These Narrow V-Belt sheaves offer higher horsepower than classical models and are suited to most power transmission installations.



**NOMENCLATURE FOR TAPER-LOCK SHEAVES
FOR STANDARD NARROW V BELT**

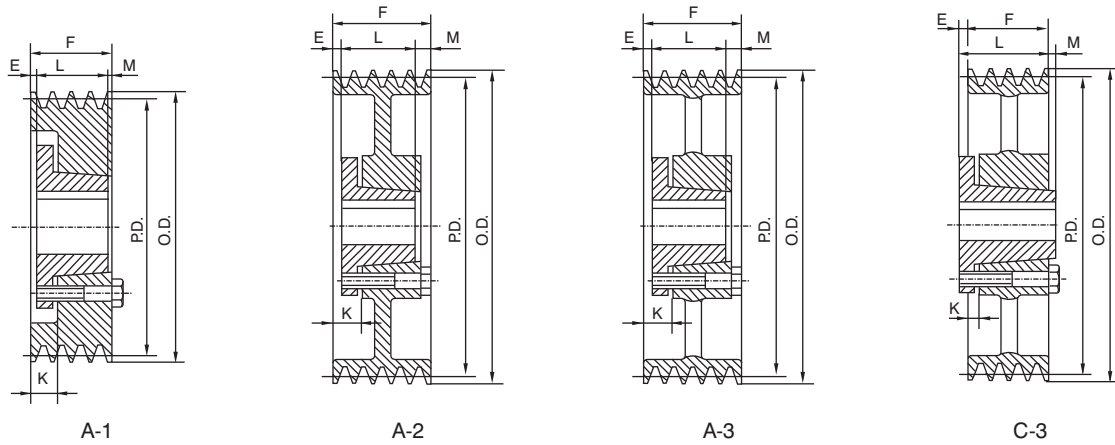
2 - 3V 220 - JA



FOR QTL TAPER BUSHING - SEE PAGE 10

3V-5V-8V

3V-5V-8V V-PULLEYS FOR QTL TAPER BUSHING



3V-5

F = 2 5/16" (58.74mm)

| Part No. | O.D. | P.D. | Bush Max Bore | Bush | Type | Db | E | K | L | M | Wgt. Less Bush |
|-------------|-------|-------|---------------|------|------|-------|------|-------|--------|------|----------------|
| 5-3V475-SDS | 4.75 | 4.70 | 2 | SDS | A2 | 3 1/2 | 3/16 | 13/16 | 13/8 | 3/4 | 4.5 |
| 5-3V500-SDS | 5.00 | 4.95 | 2 | SDS | A2 | 3 1/2 | 3/16 | 13/16 | 13/8 | 3/4 | 5.3 |
| 5-3V530-SK | 5.30 | 5.25 | 25/8 | SK | A1 | — | 1/4 | 15/16 | 115/16 | 1/8 | 5.8 |
| 5-3V560-SK | 5.60 | 5.55 | 25/8 | SK | A1 | — | 1/4 | 15/16 | 115/16 | 1/8 | 7.0 |
| 5-3V600-SK | 6.00 | 5.95 | 25/8 | SK | A1 | — | 1/4 | 15/16 | 115/16 | 1/8 | 8.3 |
| 5-3V650-SK | 6.50 | 6.45 | 25/8 | SK | A1 | — | 1/4 | 15/16 | 115/16 | 1/8 | 9.0 |
| 5-3V690-SK | 6.90 | 6.85 | 25/8 | SK | A1 | — | 1/4 | 15/16 | 115/16 | 1/8 | 12.0 |
| 5-3V800-SK | 8.00 | 7.95 | 25/8 | SK | A2 | 4 3/8 | 1/4 | 15/16 | 115/16 | 1/8 | 13.0 |
| 5-3V1060-SK | 10.60 | 10.55 | 25/8 | SK | A3 | 4 3/8 | 1/4 | 15/16 | 115/16 | 1/8 | 17.0 |
| 5-3V1400-SF | 14.00 | 13.95 | 2 15/16 | SF | A3 | 5 | 3/16 | 7/8 | 2 1/16 | 1/16 | 27.0 |
| 5-3V1900-SF | 19.00 | 18.95 | 2 15/16 | SF | A3 | 5 | 3/16 | 7/8 | 2 1/16 | 1/16 | 40.0 |
| 5-3V2500-E | 25.00 | 24.95 | 3 1/2 | E | C3 | 6 1/4 | 1/4 | 5/8 | 25/8 | 1/16 | 69.0 |
| 5-3V3350-E | 33.50 | 33.45 | 3 1/2 | E | C3 | 6 1/4 | 1/4 | 5/8 | 25/8 | 1/16 | 97.0 |

BORE RANGE

| QTL Bush | Bore | |
|----------|------|---------|
| | Min | Max |
| JA | 1/2 | 1 1/4 |
| SH | 1/2 | 1 5/16 |
| SD | 1/2 | 2 |
| SK | 1/2 | 2 5/8 |
| SF | 1/2 | 2 15/16 |
| E | 7/8 | 3 1/2 |



STANDARD KEYSEATS

| Bore Range | Keyseat |
|---------------|-----------|
| 15/16"-11/4" | 1/4"x1/8" |
| 15/16-13/8 | 5/16x5/32 |
| 17/16-13/4 | 3/8x3/16 |
| 1 13/16-2 1/4 | 1/2x1/4 |
| 2 5/16-2 3/4 | 5/8x5/16 |
| 2 13/16-3 1/4 | 3/4x3/8 |
| 3 3/8-3 3/4 | 7/8x7/16 |

1 3/8" Bore Bushings also available with 3/8"x3/16" Keyseat.

FOR QTL TAPER BUSHING - SEE PAGE 10

3V-5V-8V