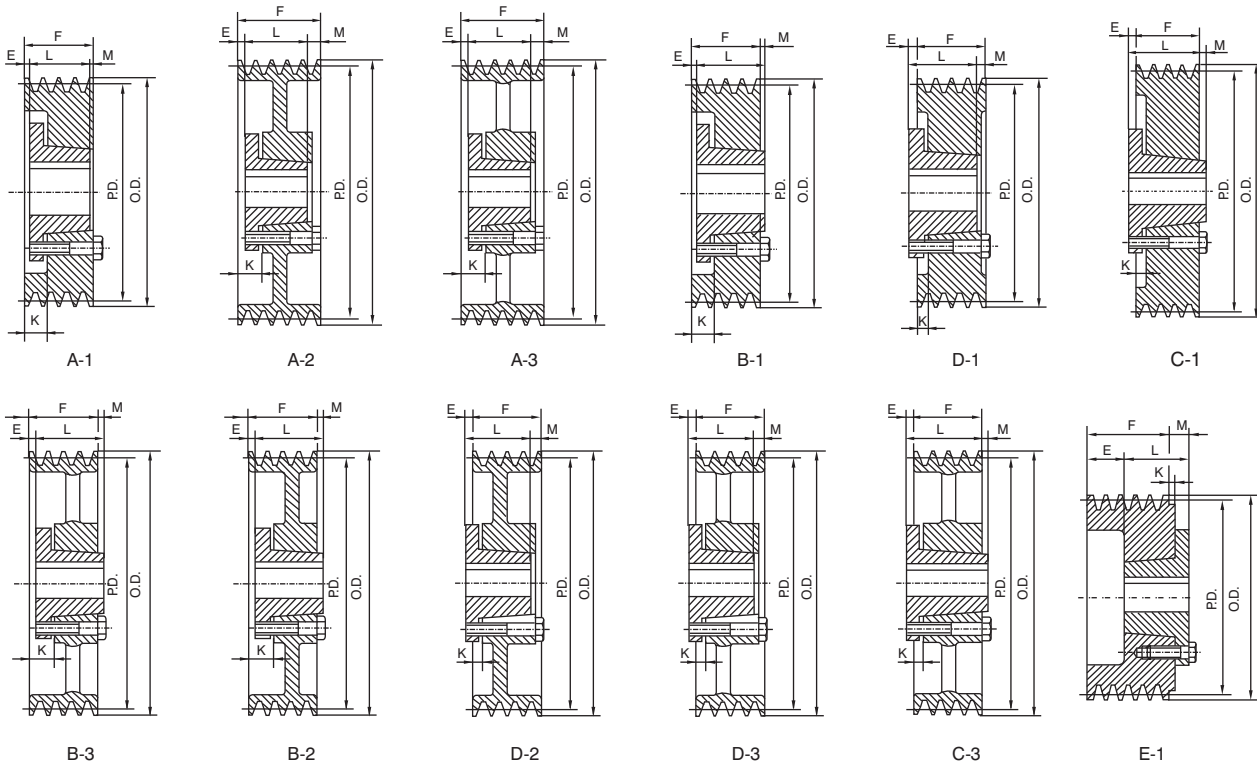


3V-5V-8V • CAST IRON SHEAVES

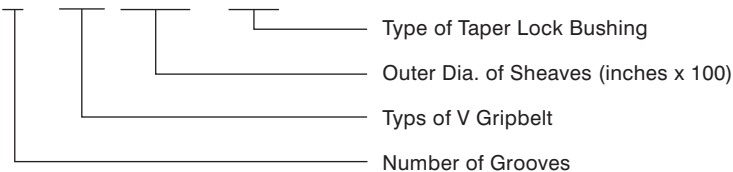


LEESON's series of taper bore V-pulleys are made of high-grade GG25 cast iron. They are matched with QTL "Quick Detachable" (QD) bushings for easy on-and-off use. These Narrow V-Belt sheaves offer higher horsepower than classical models and are suited to most power transmission installations.



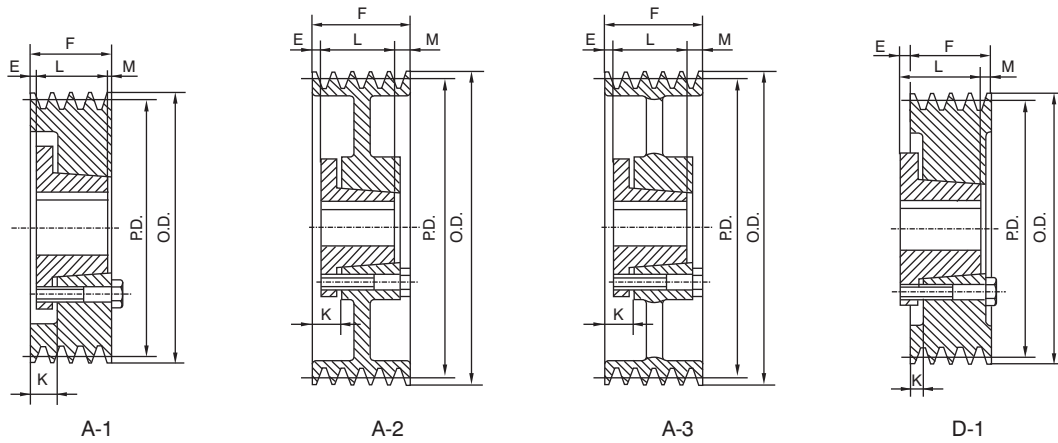
**NOMENCLATURE FOR TAPER-LOCK SHEAVES
FOR STANDARD NARROW V BELT**

2 - 3V 220 - JA



FOR QTL TAPER BUSHING - SEE PAGE 10

3V-5V-8V



3V-10

F=4 11/32"(110.33mm)

Part No.	O.D.	P.D.	Bush Max Bore	Bush	Type	Db	E	K	L	M	Wgt. Less Bush
10-3V475-SK	4.75	4.70	25/8	SK	D1	—	9/16	1/8	115/16	231/32	7.0
10-3V500-SK	5.00	4.95	25/8	SK	D1	—	9/16	1/8	115/16	231/32	8.6
10-3V530-SK	5.30	5.25	25/8	SK	A1	—	3/4	17/16	115/16	121/32	9.0
10-3V560-SK	5.60	5.55	25/8	SK	A1	—	3/4	17/16	115/16	121/32	10
10-3V600-SK	6.00	5.95	25/8	SK	A1	—	3/4	17/16	115/16	121/32	11
10-3V650-SK	6.50	6.45	25/8	SK	A2	43/8	3/4	17/16	115/16	121/32	14
10-3V690-SK	6.90	6.85	25/8	SK	A2	43/8	3/4	17/16	115/16	121/32	16
10-3V800-SF	8.00	7.95	215/16	SF	A1	—	13/16	11/2	21/16	115/32	22
10-3V1060-E	10.60	10.55	31/2	E	A2	61/4	3/8	11/4	25/8	111/32	33
10-3V1400-E	14.00	13.95	31/2	E	A3	61/4	3/8	11/4	25/8	111/32	43
10-3V1900-E	19.00	18.95	31/2	E	A3	61/4	3/8	11/4	25/8	111/32	66
10-3V2500-F	25.00	24.95	315/16	F	A3	7	5/16	15/16	35/8	13/32	98
10-3V3350-F	33.50	33.45	315/16	F	A3	7	5/16	15/16	35/8	13/32	178

BORE RANGE

QTL Bush	Bore	
	Min	Max
JA	1/2	11/4
SH	1/2	15/16
SD	1/2	2
SK	1/2	25/8
SF	1/2	215/16
E	7/8	31/2



STANDARD KEYSEATS

Bore Range	Keyseat
15/16"-11/4"	1/4"x1/8"
15/16-13/8	5/16x5/32
17/16-13/4	3/8x3/16
113/16-21/4	1/2x1/4
25/16-23/4	5/8x5/16
213/16-31/4	3/4x3/8
33/8-33/4	7/8x7/16

1 3/8" Bore Bushings also available with 3/8"x3/16" Keyseat.