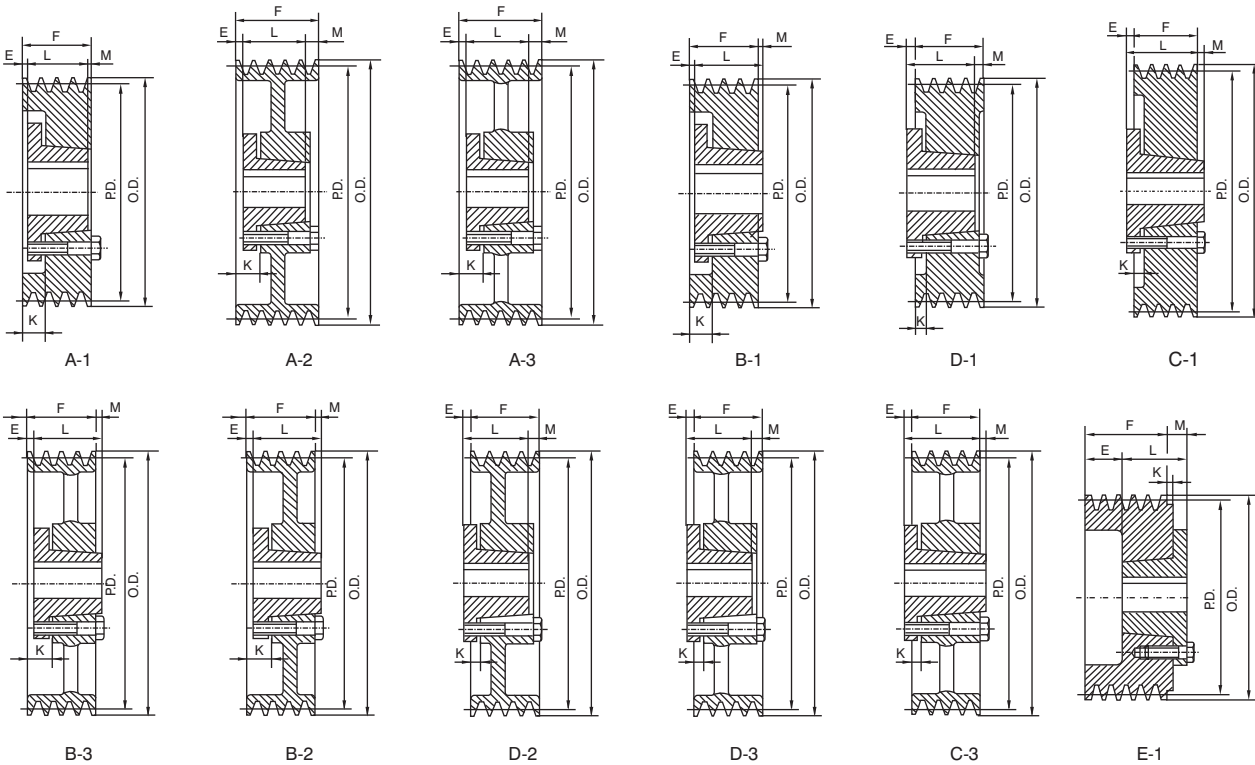


3V-5V-8V • CAST IRON SHEAVES

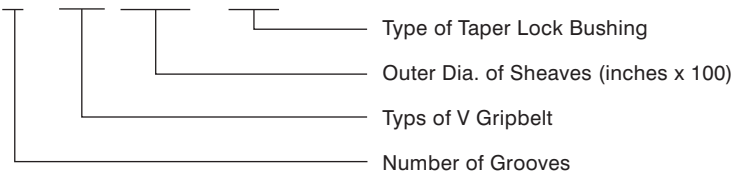


LEESON's series of taper bore V-pulleys are made of high-grade GG25 cast iron. They are matched with QTL "Quick Detachable" (QD) bushings for easy on-and-off use. These Narrow V-Belt sheaves offer higher horsepower than classical models and are suited to most power transmission installations.



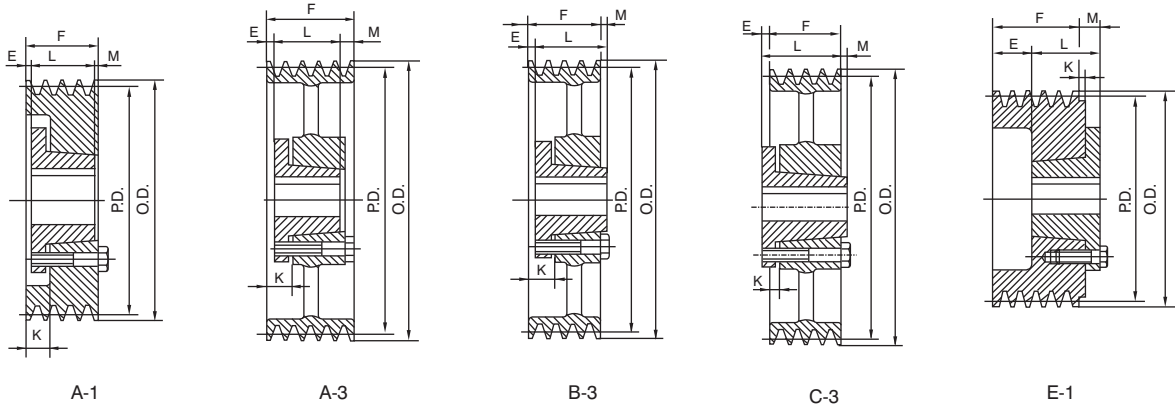
**NOMENCLATURE FOR TAPER-LOCK SHEAVES
FOR STANDARD NARROW V BELT**

2 - 3V 220 - JA



FOR QTL TAPER BUSHING - SEE PAGE 10

3V-5V-8V



5V-5

F = 3 3/4" (95.25mm)

Part No.	O.D.	PD.	Bush Max Bore	Bush	Type	Db	E	K	L	M	Wgt. Less Bush
5-5V440-SD	4.40	4.30	2	SD	E1	3 1/2	29/16	—	1 13/16	5/8	6.0
5-5V465-SD	4.65	4.55	2	SD	E1	3 1/2	29/16	—	1 13/16	5/8	7.0
5-5V490-SD	4.90	4.80	2	SD	A1	—	11/16	15/16	1 13/16	1 1/4	8.0
5-5V520-SD	5.20	5.10	2	SD	A1	—	11/16	15/16	1 13/16	1 1/4	9.0
5-5V550-SD	5.50	5.40	2	SD	A1	—	11/16	15/16	1 13/16	1 1/4	10
5-5V590-SK	5.90	5.80	2	SK	A1	—	5/8	15/16	1 15/16	1 3/16	11
5-5V630-SK	6.30	6.20	2 5/8	SK	A1	—	5/8	15/16	1 15/16	1 3/16	12
5-5V670-SF	6.70	6.60	2 5/8	SF	A1	—	5/8	15/16	2 1/16	1 1/16	16
5-5V710-SF	7.10	7.00	2 15/16	SF	A1	—	11/16	1 3/8	2 1/16	1	14
5-5V750-SF	7.50	7.40	2 15/16	SF	A1	—	11/16	1 3/8	2 1/16	1	13
5-5V800-E	8.00	7.90	3 1/2	E	A1	—	7/8	1 3/4	2 5/8	1/4	19
5-5V850-E	8.50	8.40	3 1/2	E	A1	—	7/8	1 3/4	2 5/8	1/4	22
5-5V900-E	9.00	8.90	3 1/2	E	A1	—	7/8	1 3/4	2 5/8	1/4	26
5-5V925-E	9.25	9.15	3 1/2	E	A1	—	7/8	1 3/4	2 5/8	1/4	28
5-5V975-E	9.75	9.65	3 1/2	E	A1	—	7/8	1 3/4	2 5/8	1/4	30
5-5V1030-E	10.30	10.20	3 1/2	E	A1	—	7/8	1 3/4	2 5/8	1/4	33
5-5V1090-E	10.90	10.80	3 1/2	E	A1	—	7/8	1 3/4	2 5/8	1/4	41
5-5V1130-E	11.30	11.20	3 1/2	E	A1	—	7/8	1 3/4	2 5/8	1/4	42
5-5V1180-E	11.80	11.70	3 1/2	E	A1	—	7/8	1 3/4	2 5/8	1/4	44
5-5V1250-E	12.50	12.40	3 1/2	E	A3	6 1/4	7/8	1 3/4	2 5/8	1/4	45
5-5V1320-E	13.20	13.10	3 1/2	E	A3	6 1/4	7/8	1 3/4	2 5/8	1/4	46
5-5V1400-E	14.00	13.90	3 1/2	E	A3	6 1/4	7/8	1 3/4	2 5/8	1/4	47
5-5V1500-E	15.00	14.90	3 1/2	E	A3	6 1/4	7/8	1 3/4	2 5/8	1/4	53
5-5V1600-E	16.00	15.90	3 1/2	E	A3	6 1/4	7/8	1 3/4	2 5/8	1/4	56
5-5V1870-F	18.70	18.60	3 1/2	F	B3	7	5/16	15/16	3 5/8	3/16	96
5-5V2120-F	21.20	21.10	3 1/2	F	B3	7	5/16	15/16	3 5/8	3/16	98
5-5V2360-F	23.60	23.50	3 15/16	F	B3	7	5/16	15/16	3 5/8	3/16	120
5-5V2800-F	28.00	27.90	3 15/16	F	B3	7	5/16	15/16	3 5/8	3/16	135
5-5V3150-J	31.50	31.40	3 15/16	J	C3	7 3/4	3/16	1	4 1/2	9/16	188
5-5V3750-J	37.50	37.40	3 15/16	J	C3	7 3/4	3/16	1	4 1/2	9/16	224
5-5V5000-J	50.00	49.90	4 1/2	J	C3	7 3/4	3/16	1	4 1/2	9/16	308

3V-5V-8V