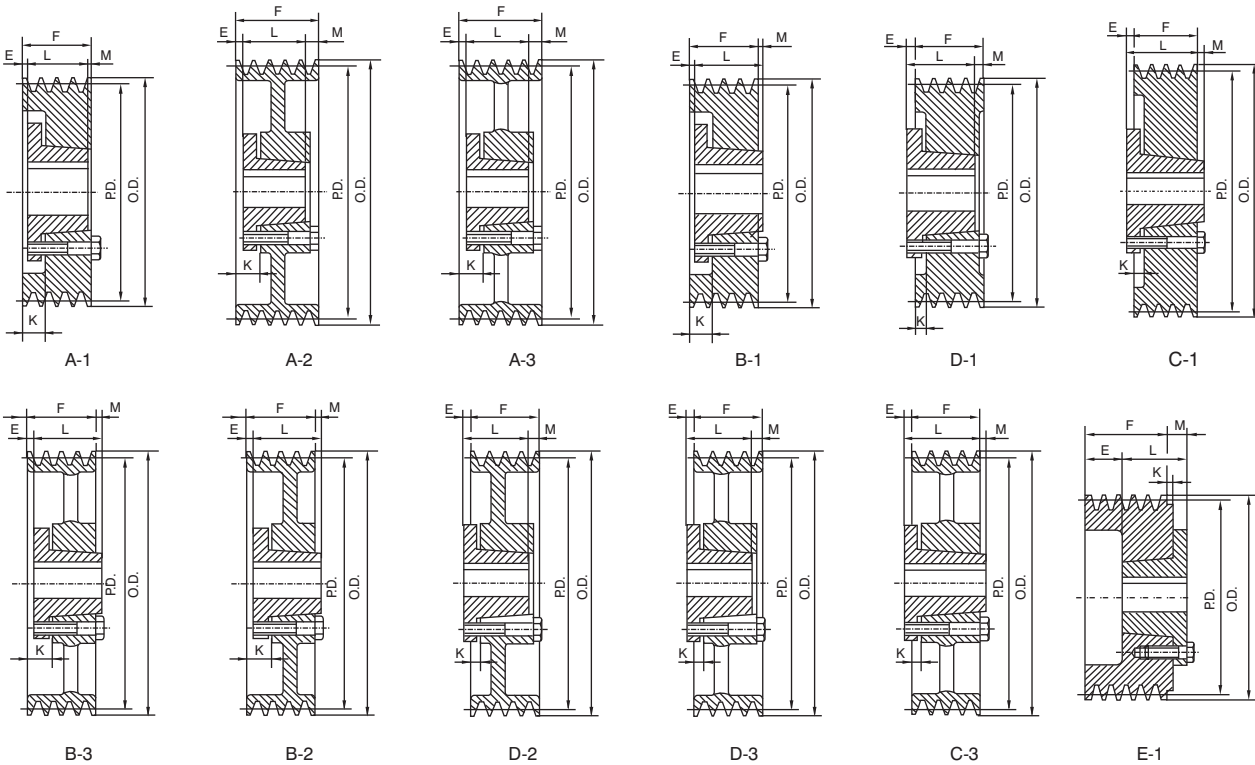


**3V-5V-8V • CAST IRON SHEAVES**

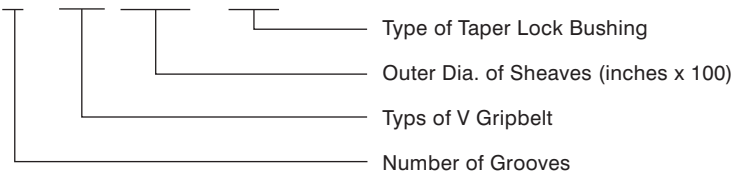


LEESON's series of taper bore V-pulleys are made of high-grade GG25 cast iron. They are matched with QTL "Quick Detachable" (QD) bushings for easy on-and-off use. These Narrow V-Belt sheaves offer higher horsepower than classical models and are suited to most power transmission installations.



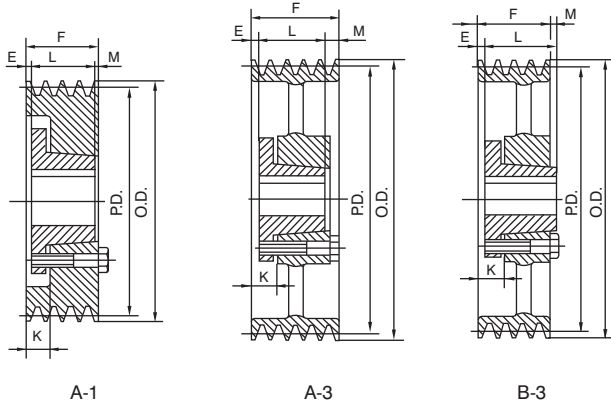
**NOMENCLATURE FOR TAPER-LOCK SHEAVES  
FOR STANDARD NARROW V BELT**

**2 - 3V 220 - JA**



**FOR QTL TAPER BUSHING - SEE PAGE 10**

3V-5V-8V



## 5V-8

**F = 5 13/16" (147.64mm)**

Part No.	O.D.	P.D.	Bush Max Bore	Bush	Type	Db	E	K	L	M	Wgt. Less Bush
8-5V710-SF	7.10	7.00	2 <sup>15</sup> / <sub>16</sub>	SF	A <sub>1</sub>	—	1 <sup>7</sup> / <sub>16</sub>	2 <sup>1</sup> / <sub>8</sub>	2 <sup>1</sup> / <sub>16</sub>	2 <sup>5</sup> / <sub>16</sub>	19
8-5V750-SF	7.50	7.40	2 <sup>15</sup> / <sub>16</sub>	SF	A <sub>1</sub>	—	1 <sup>7</sup> / <sub>16</sub>	2 <sup>1</sup> / <sub>8</sub>	2 <sup>1</sup> / <sub>16</sub>	2 <sup>5</sup> / <sub>16</sub>	20
8-5V800-E	8.00	7.90	3 <sup>1</sup> / <sub>2</sub>	E	A <sub>1</sub>	—	1 <sup>5</sup> / <sub>8</sub>	2 <sup>1</sup> / <sub>2</sub>	2 <sup>5</sup> / <sub>8</sub>	1 <sup>9</sup> / <sub>16</sub>	25
8-5V850-E	8.50	8.40	3 <sup>1</sup> / <sub>2</sub>	E	A <sub>1</sub>	—	1 <sup>5</sup> / <sub>8</sub>	2 <sup>1</sup> / <sub>2</sub>	2 <sup>5</sup> / <sub>8</sub>	1 <sup>9</sup> / <sub>16</sub>	29
8-5V900-E	9.00	8.90	3 <sup>1</sup> / <sub>2</sub>	E	A <sub>1</sub>	—	1 <sup>5</sup> / <sub>8</sub>	2 <sup>1</sup> / <sub>2</sub>	2 <sup>5</sup> / <sub>8</sub>	1 <sup>9</sup> / <sub>16</sub>	32
8-5V925-F	9.25	9.15	3 <sup>1</sup> / <sub>2</sub>	F	A <sub>1</sub>	—	1 <sup>9</sup> / <sub>16</sub>	2 <sup>9</sup> / <sub>16</sub>	3 <sup>5</sup> / <sub>8</sub>	5 <sup>8</sup> / <sub>8</sub>	39
8-5V975-F	9.75	9.65	3 <sup>15</sup> / <sub>16</sub>	F	A <sub>1</sub>	—	1 <sup>9</sup> / <sub>16</sub>	2 <sup>9</sup> / <sub>16</sub>	3 <sup>5</sup> / <sub>8</sub>	5 <sup>8</sup> / <sub>8</sub>	42
8-5V1030-F	10.30	10.20	3 <sup>15</sup> / <sub>16</sub>	F	A <sub>1</sub>	—	1 <sup>9</sup> / <sub>16</sub>	2 <sup>9</sup> / <sub>16</sub>	3 <sup>5</sup> / <sub>8</sub>	5 <sup>8</sup> / <sub>8</sub>	52
8-5V1090-F	10.90	10.80	3 <sup>15</sup> / <sub>16</sub>	F	A <sub>1</sub>	—	1 <sup>9</sup> / <sub>16</sub>	2 <sup>9</sup> / <sub>16</sub>	3 <sup>5</sup> / <sub>8</sub>	5 <sup>8</sup> / <sub>8</sub>	59
8-5V1130-F	11.30	11.20	3 <sup>15</sup> / <sub>16</sub>	F	A <sub>1</sub>	—	1 <sup>9</sup> / <sub>16</sub>	2 <sup>9</sup> / <sub>16</sub>	3 <sup>5</sup> / <sub>8</sub>	5 <sup>8</sup> / <sub>8</sub>	62
8-5V1180-F	11.80	11.70	3 <sup>15</sup> / <sub>16</sub>	F	A <sub>1</sub>	—	1 <sup>9</sup> / <sub>16</sub>	2 <sup>9</sup> / <sub>16</sub>	3 <sup>5</sup> / <sub>8</sub>	5 <sup>8</sup> / <sub>8</sub>	64
8-5V1250-F	12.50	12.40	3 <sup>15</sup> / <sub>16</sub>	F	A <sub>3</sub>	7	1 <sup>9</sup> / <sub>16</sub>	2 <sup>9</sup> / <sub>16</sub>	3 <sup>5</sup> / <sub>8</sub>	5 <sup>8</sup> / <sub>8</sub>	66
8-5V1320-F	13.20	13.10	3 <sup>15</sup> / <sub>16</sub>	F	A <sub>3</sub>	7	1 <sup>9</sup> / <sub>16</sub>	2 <sup>9</sup> / <sub>16</sub>	3 <sup>5</sup> / <sub>8</sub>	5 <sup>8</sup> / <sub>8</sub>	68
8-5V1400-F	14.00	13.90	3 <sup>15</sup> / <sub>16</sub>	F	A <sub>3</sub>	7	1 <sup>9</sup> / <sub>16</sub>	2 <sup>9</sup> / <sub>16</sub>	3 <sup>5</sup> / <sub>8</sub>	5 <sup>8</sup> / <sub>8</sub>	70
8-5V1500-F	15.00	14.90	3 <sup>15</sup> / <sub>16</sub>	F	A <sub>3</sub>	7	1 <sup>9</sup> / <sub>16</sub>	2 <sup>9</sup> / <sub>16</sub>	3 <sup>5</sup> / <sub>8</sub>	5 <sup>8</sup> / <sub>8</sub>	73
8-5V1600-F	16.00	15.90	3 <sup>15</sup> / <sub>16</sub>	F	A <sub>3</sub>	7	1 <sup>9</sup> / <sub>16</sub>	1 <sup>9</sup> / <sub>16</sub>	3 <sup>5</sup> / <sub>8</sub>	5 <sup>8</sup> / <sub>8</sub>	89
8-5V1870-J	18.70	18.60	4 <sup>1</sup> / <sub>2</sub>	J	A <sub>3</sub>	7 <sup>3</sup> / <sub>4</sub>	3 <sup>8</sup> / <sub>8</sub>	1 <sup>9</sup> / <sub>16</sub>	4 <sup>1</sup> / <sub>2</sub>	1 <sup>5</sup> / <sub>16</sub>	132
8-5V2120-J	21.20	21.10	4 <sup>1</sup> / <sub>2</sub>	J	A <sub>3</sub>	7 <sup>3</sup> / <sub>4</sub>	3 <sup>8</sup> / <sub>8</sub>	1 <sup>9</sup> / <sub>16</sub>	4 <sup>1</sup> / <sub>2</sub>	1 <sup>5</sup> / <sub>16</sub>	150
8-5V2360-J	23.60	23.50	4 <sup>1</sup> / <sub>2</sub>	J	A <sub>3</sub>	7 <sup>3</sup> / <sub>4</sub>	3 <sup>8</sup> / <sub>8</sub>	1 <sup>9</sup> / <sub>16</sub>	4 <sup>1</sup> / <sub>2</sub>	1 <sup>5</sup> / <sub>16</sub>	162
8-5V2800-J	28.00	27.90	4 <sup>1</sup> / <sub>2</sub>	J	A <sub>3</sub>	7 <sup>3</sup> / <sub>4</sub>	3 <sup>8</sup> / <sub>8</sub>	1 <sup>9</sup> / <sub>16</sub>	4 <sup>1</sup> / <sub>2</sub>	1 <sup>5</sup> / <sub>16</sub>	191
8-5V3150-M	31.50	31.40	5 <sup>1</sup> / <sub>2</sub>	M	B <sub>3</sub>	9 <sup>1</sup> / <sub>2</sub>	1 <sup>2</sup> / <sub>2</sub>	1 <sup>15</sup> / <sub>16</sub>	6 <sup>3</sup> / <sub>4</sub>	1 <sup>7</sup> / <sub>16</sub>	298
8-5V3750-M	37.50	37.40	5 <sup>1</sup> / <sub>2</sub>	M	B <sub>3</sub>	9 <sup>1</sup> / <sub>2</sub>	1 <sup>2</sup> / <sub>2</sub>	1 <sup>15</sup> / <sub>16</sub>	6 <sup>3</sup> / <sub>4</sub>	1 <sup>7</sup> / <sub>16</sub>	319
8-5V5000-M	50.00	49.90	5 <sup>1</sup> / <sub>2</sub>	M	B <sub>3</sub>	9 <sup>1</sup> / <sub>2</sub>	1 <sup>2</sup> / <sub>2</sub>	1 <sup>15</sup> / <sub>16</sub>	6 <sup>3</sup> / <sub>4</sub>	1 <sup>7</sup> / <sub>16</sub>	497

3V-5V-8V