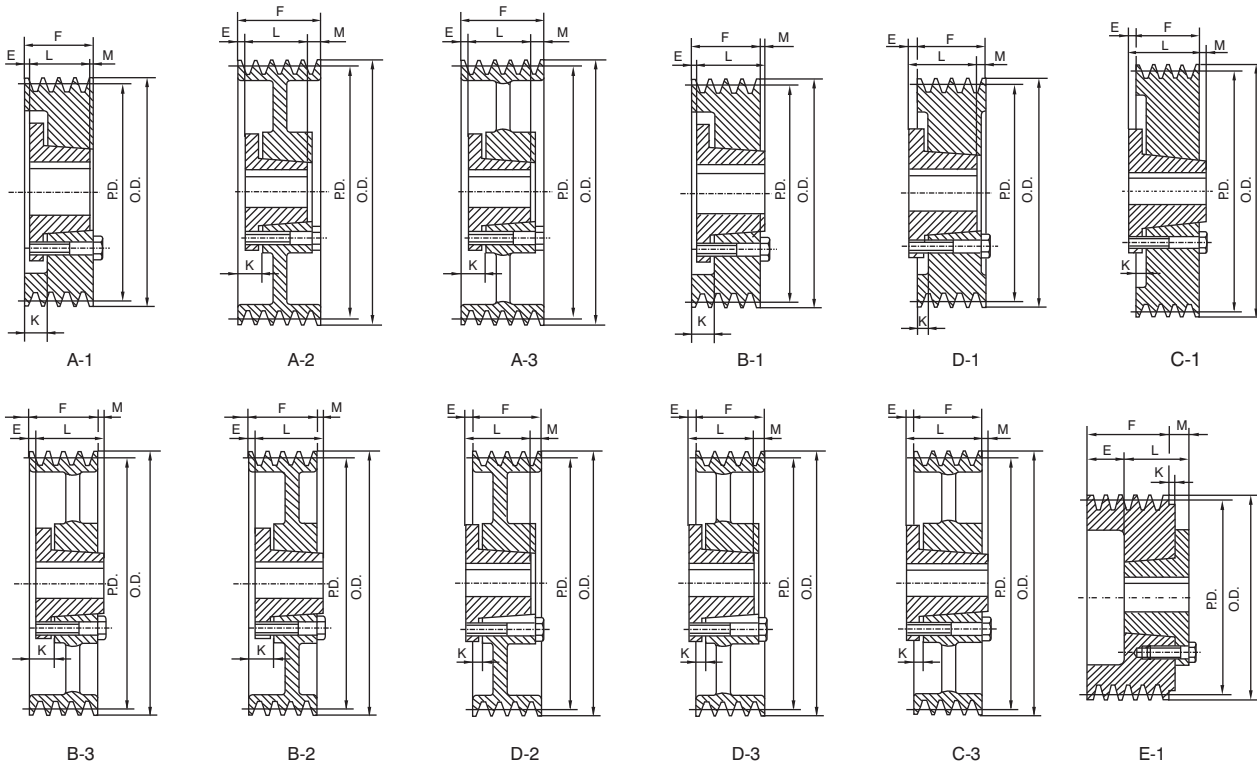


**3V-5V-8V • CAST IRON SHEAVES**

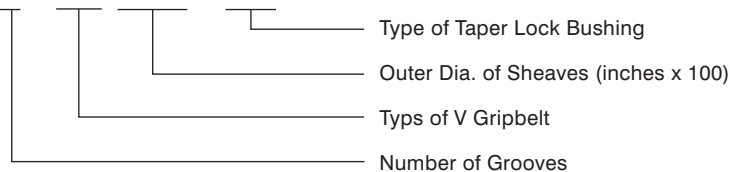


LEESON's series of taper bore V-pulleys are made of high-grade GG25 cast iron. They are matched with QTL "Quick Detachable" (QD) bushings for easy on-and-off use. These Narrow V-Belt sheaves offer higher horsepower than classical models and are suited to most power transmission installations.



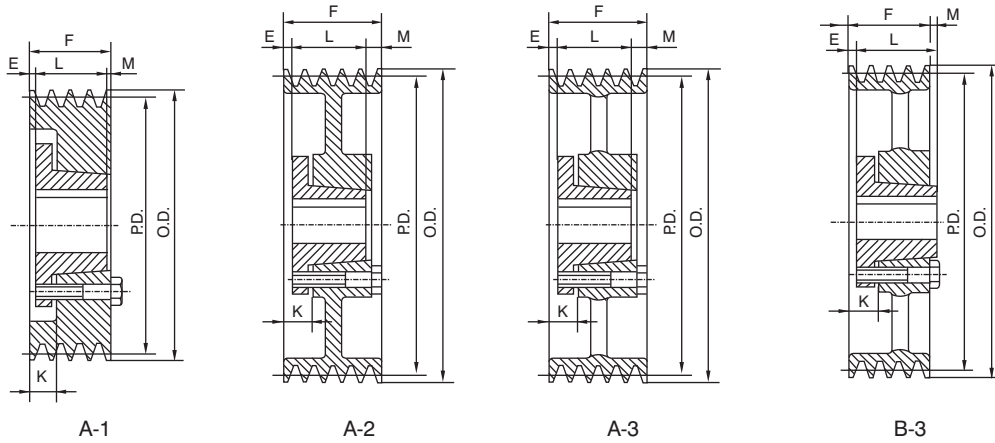
**NOMENCLATURE FOR TAPER-LOCK SHEAVES  
FOR STANDARD NARROW V BELT**

**2 - 3V 220 - JA**



**FOR QTL TAPER BUSHING - SEE PAGE 10**

3V-5V-8V



**5V-10**

**F = 7 3/16" (182.56mm)**

| Part No.    | O.D.  | P.D.  | Bush Max Bore | Bush | Type | Db    | E     | K       | L     | M     | Wgt. Less Bush |
|-------------|-------|-------|---------------|------|------|-------|-------|---------|-------|-------|----------------|
| 10-5V800-E  | 8.00  | 7.90  | 3 1/2         | E    | A1   | —     | 23/8  | 3 1/4   | 25/8  | 23/16 | 27             |
| 10-5V850-E  | 8.50  | 8.40  | 3 1/2         | E    | A1   | —     | 23/8  | 3 1/4   | 25/8  | 23/16 | 32             |
| 10-5V900-F  | 9.00  | 8.90  | 3 15/16       | F    | A1   | —     | 25/16 | 35/16   | 35/8  | 1 1/4 | 41             |
| 10-5V925-F  | 9.25  | 9.15  | 3 15/16       | F    | A1   | —     | 25/16 | 35/16   | 35/8  | 1 1/4 | 47             |
| 10-5V975-F  | 9.75  | 9.65  | 3 15/16       | F    | A1   | —     | 25/16 | 35/16   | 35/8  | 1 1/4 | 58             |
| 10-5V1030-F | 10.30 | 10.20 | 3 15/16       | F    | A1   | —     | 25/16 | 35/16   | 35/8  | 1 1/4 | 66             |
| 10-5V1090-F | 10.90 | 10.80 | 3 15/16       | F    | A1   | —     | 25/16 | 35/16   | 35/8  | 1 1/4 | 75             |
| 10-5V1130-F | 11.30 | 11.20 | 3 15/16       | F    | A1   | —     | 25/16 | 35/16   | 35/8  | 1 1/4 | 79             |
| 10-5V1180-F | 11.80 | 11.70 | 3 15/16       | F    | A1   | —     | 25/16 | 35/16   | 35/8  | 1 1/4 | 80             |
| 10-5V1250-J | 12.50 | 12.40 | 4 1/2         | J    | A1   | —     | 23/8  | 39/16   | 4 1/2 | 5/16  | 82             |
| 10-5V1320-J | 13.20 | 13.10 | 4 1/2         | J    | A1   | —     | 23/8  | 39/16   | 4 1/2 | 5/16  | 85             |
| 10-5V1400-J | 14.00 | 13.90 | 4 1/2         | J    | A2   | 73/4  | 23/8  | 39/16   | 4 1/2 | 5/16  | 90             |
| 10-5V1500-J | 15.00 | 14.90 | 4 1/2         | J    | A2   | 73/4  | 23/8  | 39/16   | 4 1/2 | 5/16  | 92             |
| 10-5V1600-J | 16.00 | 15.90 | 4 1/2         | J    | A2   | —     | 23/8  | 39/16   | 4 1/2 | 5/16  | 102            |
| 10-5V1870-J | 18.70 | 18.60 | 4 1/2         | J    | A3   | 73/4  | 3/8   | 19/16   | 4 1/2 | 23/16 | 150            |
| 10-5V2120-J | 21.20 | 21.10 | 4 1/2         | J    | A3   | 73/4  | 3/8   | 19/16   | 4 1/2 | 23/16 | 164            |
| 10-5V2360-M | 23.60 | 23.50 | 4 1/2         | M    | B3   | 9 1/2 | 1/2   | 1 15/16 | 63/4  | 1/16  | 258            |
| 10-5V2800-M | 28.00 | 27.90 | 5 1/2         | M    | B3   | 9 1/2 | 1/2   | 1 15/16 | 63/4  | 1/16  | 278            |
| 10-5V3150-M | 31.50 | 31.40 | 5 1/2         | M    | B3   | 9 1/2 | 1/2   | 1 15/16 | 63/4  | 1/16  | 318            |
| 10-5V3750-M | 37.50 | 37.40 | 5 1/2         | M    | B3   | 9 1/2 | 1/2   | 1 15/16 | 63/4  | 1/16  | 340            |
| 10-5V5000-M | 50.00 | 49.90 | 5 1/2         | M    | B3   | 9 1/2 | 1/2   | 1 15/16 | 63/4  | 1/16  | 538            |

3V-5V-8V