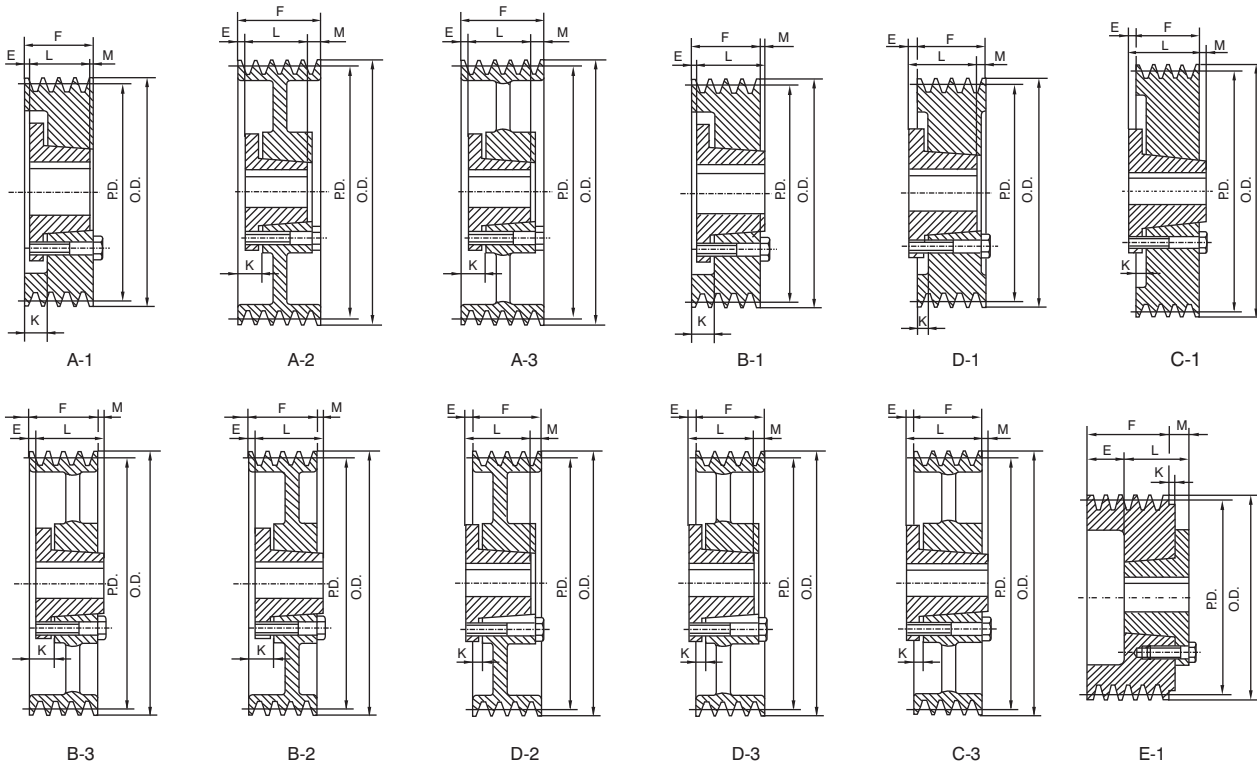


3V-5V-8V • CAST IRON SHEAVES

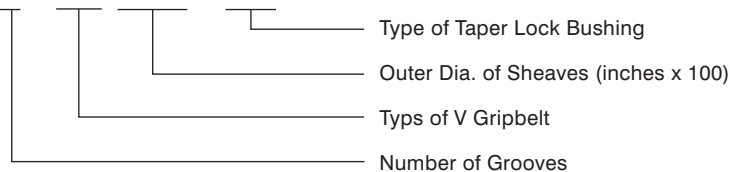


LEESON's series of taper bore V-pulleys are made of high-grade GG25 cast iron. They are matched with QTL "Quick Detachable" (QD) bushings for easy on-and-off use. These Narrow V-Belt sheaves offer higher horsepower than classical models and are suited to most power transmission installations.



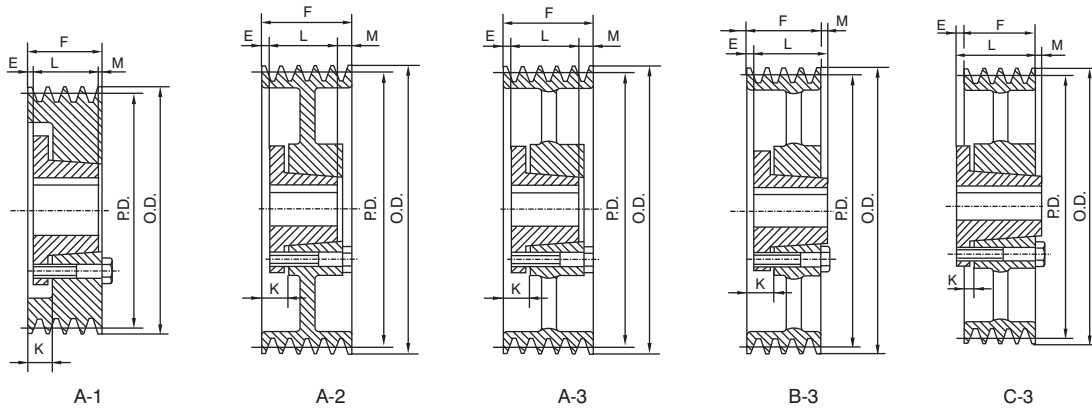
**NOMENCLATURE FOR TAPER-LOCK SHEAVES
FOR STANDARD NARROW V BELT**

2 - 3V 220 - JA



FOR QTL TAPER BUSHING - SEE PAGE 10

3V-5V-8V



8V-4

F = 4 7/8" (123.83mm)

Part No.	O.D.	P.D.	Bush Max Bore	Bush	Type	Db	E	K	L	M	Wgt. Less Bush
4-8V1250-F	12.50	12.30	3/15/16	F	A1	—	3/16	13/16	35/8	11/16	63
4-8V1320-F	13.20	13.00	3/15/16	F	A2	7	3/16	13/16	35/8	11/16	66
4-8V1400-F	14.00	13.80	3/15/16	F	A2	7	3/16	13/16	35/8	11/16	70
4-8V1500-F	15.00	14.80	3/15/16	F	A2	7	3/16	13/16	35/8	11/16	74
4-8V1600-F	16.00	15.80	3/15/16	F	A2	7	3/16	13/16	35/8	11/16	82
4-8V1700-F	17.00	16.80	3/15/16	F	A3	7	3/16	13/16	35/8	11/16	94
4-8V1800-F	18.00	17.80	3/15/16	F	A3	7	3/16	13/16	35/8	11/16	99
4-8V1900-F	19.00	18.80	3/15/16	F	A3	7	3/16	13/16	35/8	11/16	105
4-8V2000-J	20.00	19.80	4 1/2	J	A3	7 3/4	1/4	17/16	4 1/2	1/8	141
4-8V2120-J	21.20	21.00	4 1/2	J	A3	7 3/4	1/4	17/16	4 1/2	1/8	150
4-8V2240-J	22.40	22.20	4 1/2	J	A3	7 3/4	1/4	17/16	4 1/2	1/8	177
4-8V2480-M	24.80	24.60	5 1/2	M	C3	9 1/2	5/8	13/16	63/4	1 1/4	223
4-8V3000-M	30.00	29.80	5 1/2	M	C3	9 1/2	5/8	13/16	63/4	1 1/4	285
4-8V3550-M	35.50	35.30	5 1/2	M	C3	9 1/2	5/8	13/16	63/4	1 1/4	305
4-8V4000-M	40.00	39.80	5 1/2	M	C3	9 1/2	5/8	13/16	63/4	1 1/4	355
4-8V4450-M	44.50	44.30	5 1/2	M	C3	9 1/2	5/8	13/16	63/4	1 1/4	369
4-8V5300-M	53.00	52.80	5 1/2	M	C3	9 1/2	3/8	13/16	63/4	1 1/4	478

8V-5

F = 6" (152.40mm)

Part No.	O.D.	P.D.	Bush Max Bore	Bush	Type	Db	E	K	L	M	Wgt. Less Bush
5-8V1250-F	12.50	12.30	3/15/16	F	A1	—	15/16	25/16	35/8	11/16	68
5-8V1320-F	13.20	13.00	3/15/16	F	A2	7	15/16	25/16	35/8	11/16	75
5-8V1400-F	14.00	13.80	3/15/16	F	A2	7	15/16	25/16	35/8	11/16	78
5-8V1500-F	15.00	14.80	3/15/16	F	A2	7	15/16	25/16	35/8	11/16	94
5-8V1600-F	16.00	15.80	3/15/16	F	A2	7	15/16	25/16	35/8	11/16	101
5-8V1700-J	17.00	16.80	4 1/2	J	A3	7 3/4	13/16	2	4 1/2	11/16	111
5-8V1800-J	18.00	17.80	4 1/2	J	A3	7 3/4	13/16	2	4 1/2	11/16	130
5-8V1900-J	19.00	18.80	4 1/2	J	A3	7 3/4	13/16	2	4 1/2	11/16	135
5-8V2000-J	20.00	19.80	4 1/2	J	A3	7 3/4	13/16	2	4 1/2	11/16	152
5-8V2120-J	21.20	21.00	4 1/2	J	A3	7 3/4	13/16	2	4 1/2	11/16	183
5-8V2240-M	22.40	22.20	5 1/2	M	B3	9 1/2	1/2	1 15/16	63/4	1 1/4	223
5-8V2480-M	24.80	24.60	5 1/2	M	B3	9 1/2	1/2	1 15/16	63/4	1 1/4	254
5-8V3000-M	30.00	29.80	5 1/2	M	B3	9 1/2	1/2	1 15/16	63/4	1 1/4	294
5-8V3550-M	35.50	35.30	5 1/2	M	B3	9 1/2	1/2	1 15/16	63/4	1 1/4	325
5-8V4000-M	40.00	39.80	5 1/2	M	B3	9 1/2	1/2	1 15/16	63/4	1 1/4	430
5-8V4450-N	44.50	44.30	6	N	C3	10 1/2	13/16	15/16	8 1/8	15/16	485
5-8V5300-N	53.00	52.80	6	N	C3	10 1/2	13/16	15/16	8 1/8	15/16	672