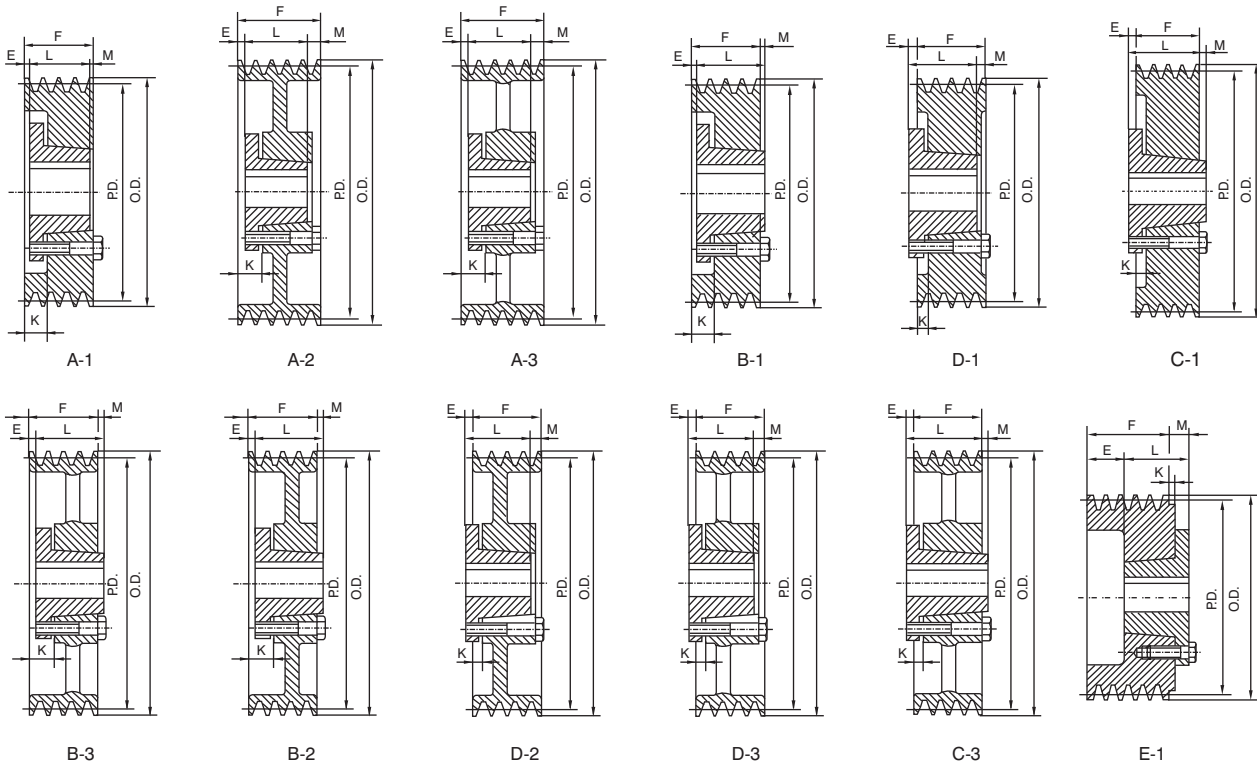


3V-5V-8V • CAST IRON SHEAVES

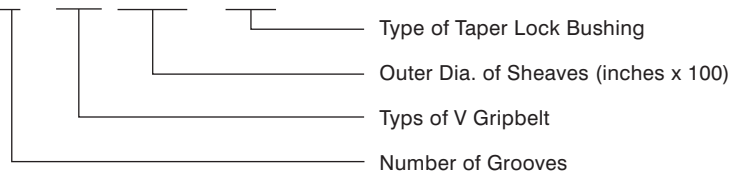


LEESON's series of taper bore V-pulleys are made of high-grade GG25 cast iron. They are matched with QTL "Quick Detachable" (QD) bushings for easy on-and-off use. These Narrow V-Belt sheaves offer higher horsepower than classical models and are suited to most power transmission installations.



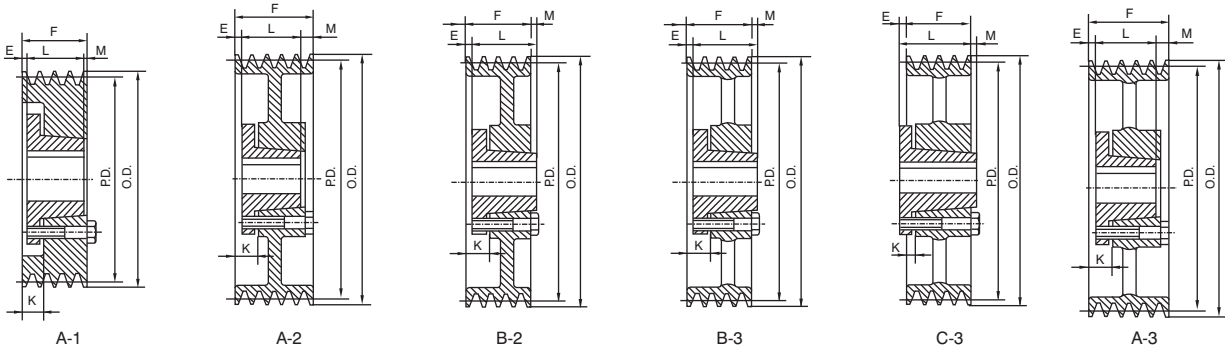
**NOMENCLATURE FOR TAPER-LOCK SHEAVES
FOR STANDARD NARROW V BELT**

2 - 3V 220 - JA



FOR QTL TAPER BUSHING - SEE PAGE 10

3V-5V-8V



8V-6

F=7 1/8" (180.98mm)

Part No.	O.D.	PD.	Bush Max Bore	Bush	Type	Db	E	K	L	M	Wgt. Less Bush
6-8V1250-F	12.50	12.30	3/15/16	F	A1	—	15/16	25/16	35/8	23/16	86
6-8V1320-F	13.20	13.00	3/15/16	F	A1	—	15/16	25/16	35/8	23/16	94
6-8V1400-F	14.00	13.80	3/15/16	F	A1	—	15/16	25/16	35/8	23/16	108
6-8V1500-J	15.00	14.80	4 1/2	J	A1	—	13/8	29/16	4 1/2	1 1/4	138
6-8V1600-J	16.00	15.80	4 1/2	J	A1	—	13/8	29/16	4 1/2	1 1/4	142
6-8V1700-J	17.00	16.80	4 1/2	J	A2	7/3/4	13/8	29/16	4 1/2	1 1/4	144
6-8V1800-J	18.00	17.80	4 1/2	J	A2	7/3/4	13/8	29/16	4 1/2	1 1/4	160
6-8V1900-J	19.00	18.80	4 1/2	J	A2	7/3/4	13/8	29/16	4 1/2	1 1/4	172
6-8V2000-M	20.00	19.80	5 1/2	M	B2	9 1/2	1 1/2	2 15/16	6 3/4	1 1/8	204
6-8V2120-M	21.20	21.00	5 1/2	M	B2	9 1/2	1 1/2	2 15/16	6 3/4	1 1/8	226
6-8V2240-M	22.40	22.20	5 1/2	M	B3	9 1/2	1 1/2	2 15/16	6 3/4	1 1/8	235
6-8V2480-M	24.80	24.60	5 1/2	M	B3	9 1/2	1/2	1 15/16	6 3/4	1/8	246
6-8V3000-M	30.00	29.80	5 1/2	M	B3	9 1/2	1/2	1 15/16	6 3/4	1/8	306
6-8V3550-N	35.50	35.30	6	N	C3	10 1/2	5/8	1 1/8	8 1/8	3/8	466
6-8V4000-N	40.00	39.80	6	N	C3	10 1/2	5/8	1 1/8	8 1/8	3/8	548
6-8V4450-N	44.50	44.30	6	N	C3	10 1/2	5/8	1 1/8	8 1/8	3/8	590
6-8V5300-N	53.00	52.80	6	N	C3	10 1/2	5/8	1 1/8	8 1/8	3/8	658
6-8V6300-P	63.00	62.80	6 3/4	P	C3	12 1/4	—	2	9 3/8	1 7/8	860
6-8V7100-P	71.00	70.80	6 3/4	P	C3	12 1/4	5/8	2 5/8	9 3/8	2 1/2	1272

8V-8

F=9 3/8" (238.13mm)

Part No.	O.D.	PD.	Bush Max Bore	Bush	Type	Db	E	K	L	M	Wgt. Less Bush
8-8V1250-J	12.50	12.30	4 1/2	J	A1	—	23/8	39/16	4 1/2	2 1/2	108
8-8V1320-J	13.20	13.00	4 1/2	J	A1	—	23/8	39/16	4 1/2	2 1/2	118
8-8V1400-J	14.00	13.80	4 1/2	J	A1	—	23/8	39/16	4 1/2	2 1/2	131
8-8V1500-J	15.00	14.80	4 1/2	J	A1	—	23/8	39/16	4 1/2	2 1/2	151
8-8V1600-J	16.00	15.80	4 1/2	J	A1	—	23/8	39/16	4 1/2	2 1/2	155
8-8V1700-M	17.00	16.80	5 1/2	M	A2	9 1/2	2 1/2	3 15/16	6 3/4	1/8	188
8-8V1800-M	18.00	17.80	5 1/2	M	A2	9 1/2	2 1/2	3 15/16	6 3/4	1/8	202
8-8V1900-M	19.00	18.80	5 1/2	M	A2	9 1/2	2 1/2	3 15/16	6 3/4	1/8	221
8-8V2000-M	20.00	19.80	5 1/2	M	A2	9 1/2	2 1/2	3 15/16	6 3/4	1/8	236
8-8V2120-M	21.20	21.00	5 1/2	M	A2	9 1/2	2 1/2	3 15/16	6 3/4	1/8	267
8-8V2240-M	22.40	22.20	5 1/2	M	A3	9 1/2	2 1/2	3 15/16	6 3/4	1/8	284
8-8V2480-N	24.80	24.60	6	N	A3	10 1/2	1/2	2 1/4	8 1/8	3/4	418
8-8V3000-N	30.00	29.80	6	N	A3	10 1/2	1/2	2 1/4	8 1/8	3/4	447
8-8V3550-N	35.50	35.30	6	N	A3	10 1/2	1/2	2 1/4	8 1/8	3/4	553
8-8V4000-N	40.00	39.80	6	N	A3	10 1/2	1/2	2 1/4	8 1/8	3/4	648
8-8V4450-P	44.50	44.30	6 3/4	P	B3	12 1/4	5/8	2 5/8	9 3/8	5/8	679
8-8V5300-P	53.00	52.80	6 3/4	P	B3	12 1/4	5/8	2 5/8	9 3/8	5/8	946
8-8V6300-P	63.00	62.80	6 3/4	P	B3	12 1/4	5/8	2 5/8	9 3/8	5/8	1372
8-8V7100-W	71.00	70.80	8 1/2	W	C3	16	7/8	1 3/8	11 3/8	3/4	1680

3V-5V-8V