

Parts List for 48,100 Series Brakes (rev. A)

(Models 1-048-151, 1-048-161 and 1-048-171)

Information required when ordering replacement parts:

- Give part number of parts or kits needed, brake model number, and brake serial number. The brake model and serial number may identify special brakes not covered by this parts list.
- When ordering hubs, specify shaft diameter (hub bore) and keyway. Consult factory for bores not listed.

General Information

- Description items in ***CAPITALIZED BOLD ITALICS*** are recommended spare parts. One set per 10 brakes in service is recommended.
- For installation and service instructions, see P/N 8-078-924-06

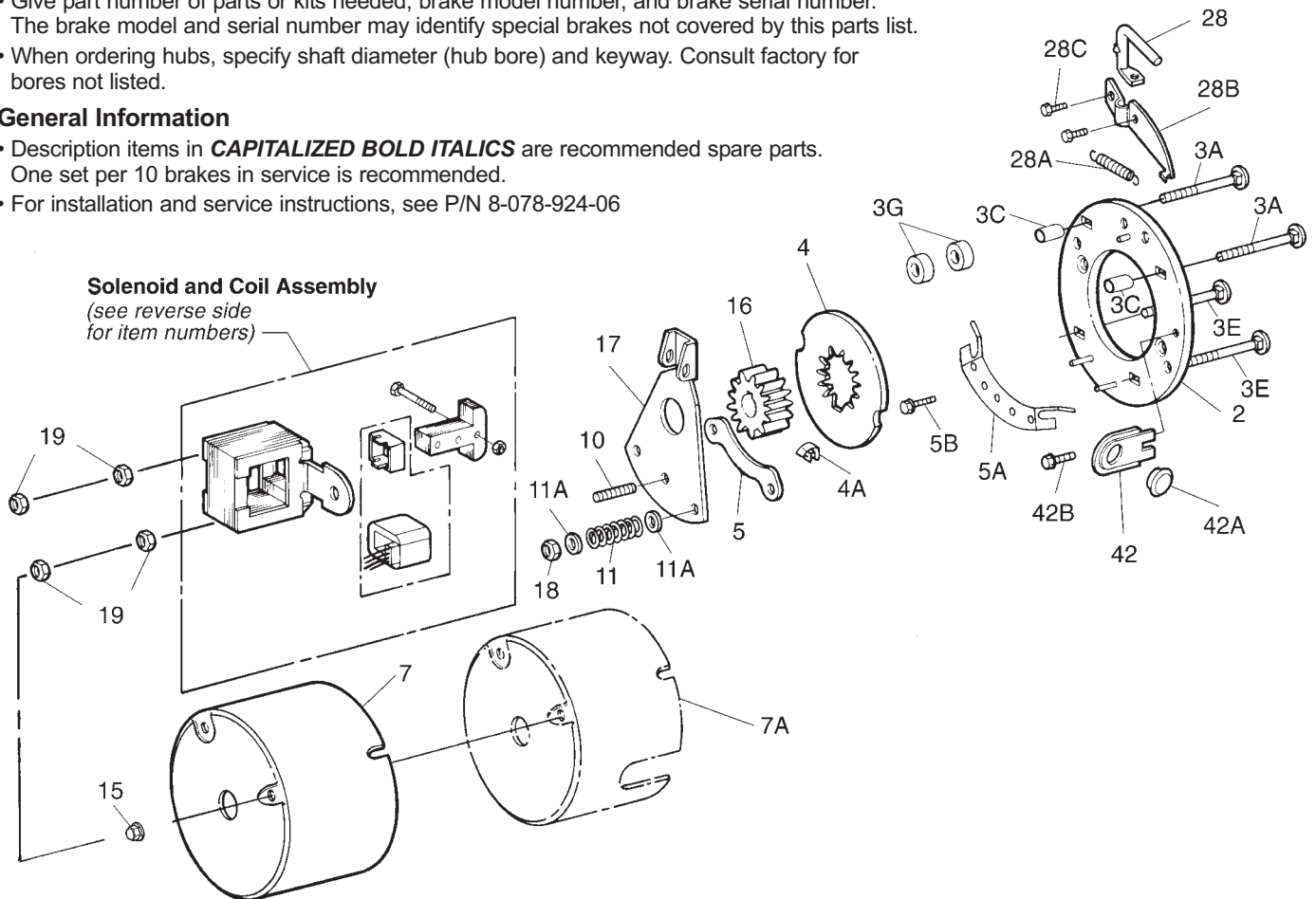


TABLE 1
Components of 48,100 Series Brake

Item No.	Description	Part Number↓	Torque (lb-ft)						
			1-048-151-00	1-048-151-01	1-048-161-00	1-048-161-01	1-048-171-00	1-048-171-01	
2	Endplate assembly	5-55-4003-00	1	1	1	1	1	1	
3A	Solenoid/housing (carriage bolt)	9-09-0108-00	2	2	2	2	2	2	
3C	Solenoid Spacer	8-128-310-00	2	2	2	2	2	2	
3E	Spring stud (carriage bolt)	9-09-0106-00	2	2	2	2	2	2	
3G	Shock pad	8-060-314-00	4	4	4	4	4	4	
4	FRICITION DISC	8-004-405-00	1	1	1	1	1	1	
4A	STABILIZING SPRING	8-161-503-00	1	1	1	1	1	1	
5	STATIONARY PLATE	8-003-407-00	1	1	1	1	1	1	
5A	Leaf spring	8-059-402-00	1	1	1	1	1	1	
5B	Leaf spring screw #8-32 x 1/4" thread roll	9-25-7320-00	1	1	1	1	1	1	
7	Housing	8-007-413-00	1	1	1	1	1	1	
7A	Housing (with slot)	8-007-413-01	1	1	1	1	1	1	
10	Wear adjust screw	9-17-8420-00	1	1	1	1	1	1	
11	Pressure spring (green)	9-70-1210-00	2	2	2	2	2	2	
	Pressure spring (yellow)	9-70-1302-00							
	Pressure spring (natural)	9-70-1610-00							
11A	Shoulder washer	9-46-0003-00				2	2	4	4

TABLE 1
(continued)

Item No.	Description	Part Number↓	Torque (lb-ft)					
			1-048-151-00	1-048-151-01	1-048-161-00	1-048-161-01	1-048-171-00	1-048-171-01
15	Housing Nut (Bonding)	9-40-2830-00	2	2	2	2	2	2
16	Hub & set screw assy. (5/8" bore) 3/16" x 3/32" keyway	5-16-4113-00-01B	1	1	1	1	1	1
	Hub & set screw assy. (1/2" bore) 1/8" x 1/16" keyway	5-16-4113-00-01K	1	1	1	1	1	1
17	Lever	5-17-4005-01	1	1	1	1	1	1
18	Torque adjust nut	9-40-4030-00	2	2	2	2	2	2
19	Adjustment nut 1/4-20 hex elastic	9-40-4030-00	4	4	4	4	4	4
28	Manual release lever	8-148-406-00	1	1	1	1	1	1
28A	Extension spring	9-71-0027-00	1	1	1	1	1	1
28B	Manual release bracket	8-170-506-00	1	1	1	1	1	1
28C	Bracket screw #8-32 x 5/16" thread roll	9-25-7320-01	2	2	2	2	2	2
42	Conduit bracket	8-142-402-00	1	1	1	1	1	1
42A	Snap in blank	9-61-1162-00	1	1	1	1	1	1
42B	Conduit bracket screw #8-32 x 1/4" thread roll	9-25-7320-00	1	1	1	1	1	1

Solenoid and Coil Assembly

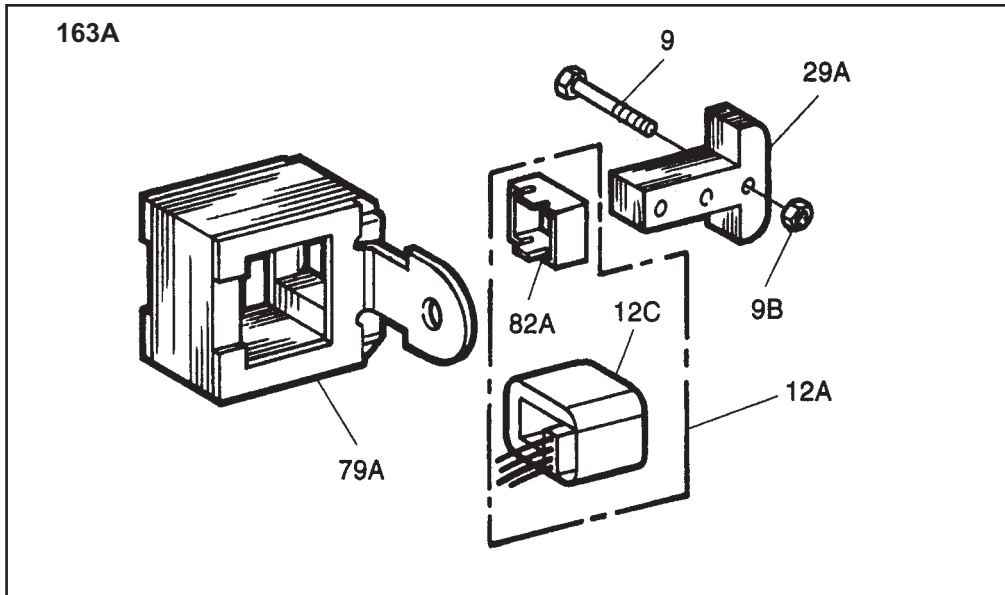


TABLE 2
Components of
Solenoid Assembly

Item No.	Description	Part Number↓	Torque (lb-ft)													
			1.5		3		6									
			Brake Model Number→		1-048-151-00		1-048-151-01		1-048-161-00		1-048-161-01		1-048-171-00		1-048-171-01	
163A	SOLENOID ASSEMBLY (comprised of)	5-12-5524-00	1	1	1	1	1	1	1	1	1	1	1	1	1	1
9	Plunger screw		1	1	1	1	1	1	1	1	1	1	1	1	1	1
9B	Plunger nut		1	1	1	1	1	1	1	1	1	1	1	1	1	1
29A	Plunger assembly		1	1	1	1	1	1	1	1	1	1	1	1	1	1
79A	Solenoid frame and bracket		1	1	1	1	1	1	1	1	1	1	1	1	1	1

TABLE 3
AC Coil Kits

Item No.	Description	Part Number↓	Torque (lb-ft)														
			1.5		3		6										
			Brake Model Number→		1-048-151-00		1-048-151-01		1-048-161-00		1-048-161-01		1-048-171-00		1-048-171-01		
12A Coil Kit	12C NO. 4 COIL KIT 60 HZ	115/230 Vac	5-66-6407-33	1	1												
		230/460 Vac	5-66-6409-33	1	1												
		115 Vac	5-66-6401-33	1	1												
		230 Vac	5-66-6402-33	1	1												
		460 Vac	5-66-6404-33	1	1												
	575 Vac	5-66-6405-33	1	1													
	12C NO. K4 COIL KIT 60 HZ	115/230 Vac	5-66-6457-33			1	1										
		230/460 Vac	5-66-6459-33			1	1										
		115 Vac	5-66-6451-33			1	1										
		230 Vac	5-66-6452-33			1	1										
		460 Vac	5-66-6454-33			1	1										
	575 Vac	5-66-6455-33			1	1											
	12C NO. M4 COIL ASSEMBLY 60 HZ	115/230 Vac	5-96-6437-33											1	1		
		200/400 Vac	5-96-6438-33											1	1		
		230/460 Vac	5-96-6439-33											1	1		
115 Vac		5-96-6431-33											1	1			
200 Vac		5-96-6484-33											1	1			
230 Vac		5-96-6432-33											1	1			
460 Vac	5-96-6434-33											1	1				
575 Vac	5-96-6435-33											1	1				
82A	Top plunger guide (part of 12A)		1	1	1	1	1	1	1	1	1	1	1	1	1	1	



Rexnord Industries, LLC
Stearns Division
5150 S. International Drive
Cudahy, Wisconsin 53110
(414) 272-1100 Fax: (414) 277-4364 www.rexnord.com